



Omni-ID® Exo 600

Omni-ID Exo 600 is a small, high performance, global RFID tag designed to meet the diverse needs of logistics industries. With a small footprint it is well suited for attachment to metal bars commonly found on RTI's. Exo 600 has a long read range and broad read angle for industrial and warehouse portal applications and comes with adhesive or rivet hole mounting options.

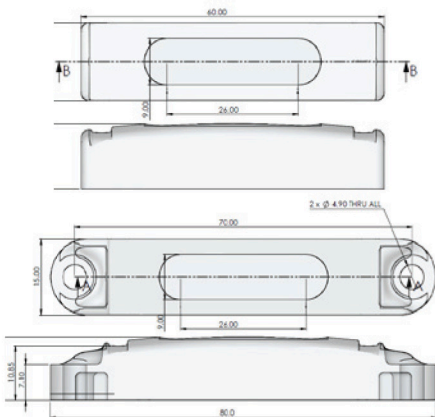
Building Intelligent Supply Chains

With a small footprint and high performance, Exo 600 is ideally suited for RTI applications in the following industries

- ▶ Logistics and Postal
- ▶ Automotive
- ▶ Retail and Warehousing

Physical Specifications

Encasement	ABS Rigid Plastic
Size (mm) (tolerance)	80 x 15 x 12.2 (with holes) 60 x 15 x 12.2 (without holes)
Size (in) (tolerance)	3.15 x 0.59 x 0.48 (with holes) 2.36 x 0.59 x 0.48 (without holes)
Weight (g)	12.5 (with holes) 11.5 (without holes)



Dimensions stated in mm

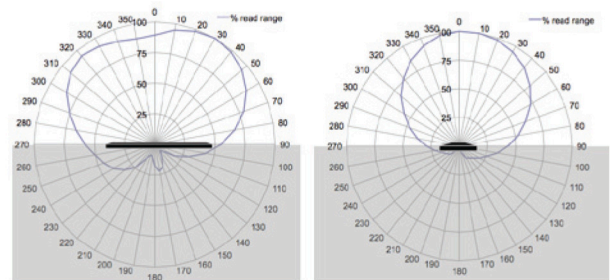
RF Specifications

Protocol	EPC Class 1 Gen2
Frequency Range (MHz)	860-940 (GS)
Read Range (Fixed reader) ¹	Up to 6.0m (US) Up to 6.0m (EU)
Read Range (Handheld reader) ¹	Up to 3.0m (US) Up to 3.0m (EU)
Material Compatibility	Optimized for Metal
IC Type (chip)	Impinj Monza 4QT
Memory ²	EPC - 96bits User - 512bits TID - 64bits

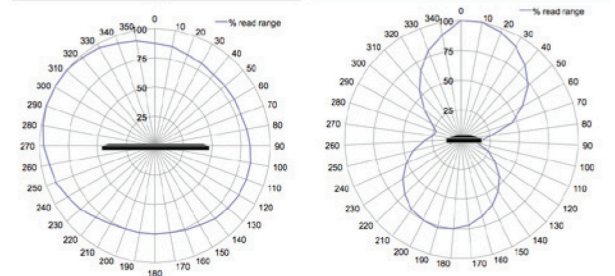
1. Quoted performance achieved using standard testing methodology. Read range will vary with reader hardware and output power.
2. EPC and User memory are reprogrammable, TID is locked at point of manufacture.

Radiation Patterns

On Metal



On Plastic



Related Products and Services

- ▶ **Omni-ID IQ 800P** - Large premium label for plastic assets.
- ▶ **Omni-ID Exo 210**- Low profile, on metal RFID tag optimized for attachment to small metal assets.
- ▶ **Omni-ID Exo 750** - Extreme durability, long range and global operability in a small, square footprint, on metal RFID tag.
- ▶ **Service Bureau** - Omni-ID offers a full service bureau for printing and pre-encoding Omni-ID tags at point of manufacture.



Environmental Specifications

Operating Temperature	-40 ° to +85 °C
Long term Max Temperature ¹ exposure - (days,weeks,years)	+85 °C
Short term Max Temperature ¹ exposure - (minutes,hours)	+105 °C
Halt Thermal Cycling -20 ° to +85 °C Exposure Time	50 Cycles
IP Rating	IP68
Shock and Vibration	MIL STD 810-F
Impact ²	10kg from 1m
Attachment	Mechanical (std) Film adhesive (option without holes) Foam adhesive (option without holes)
Certifications	RoHS approved CE approved ATEX/IECEX certified (option) US&Canada (C1D1/D2) certified (option)
Warranty	3 years

1. Excludes adhesive options, consult adhesive data sheets for recommended temperature ratings.
2. Testing methodology available on request

Ordering Information

Order Numbers	061- GS (with attachment holes) :517 (no attachment holes) :304 (ATEX/IECEX certified) :307 (US&Canada (C1D1/D2) certified) :701 (Standard Service Bureau) :702 (Custom Service Bureau)
---------------	--



1.888.238.1155 • Inside USA
1.205.383.2244 • Outside USA
info@atlasRFIDstore.com
www.atlasRFIDstore.com