

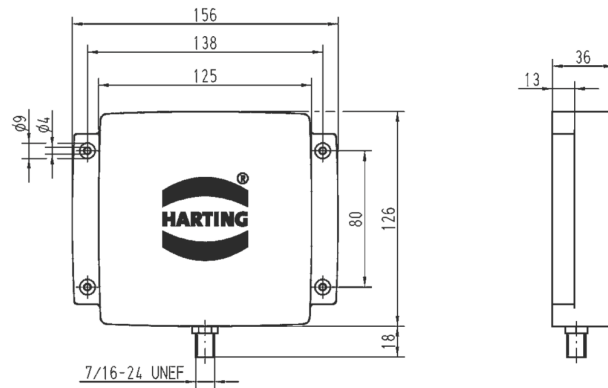


Ha-VIS RF-ANT-MR20-US
Planar RFID antenna

Identification	Part number	Drawing	Dimensions in mm
----------------	-------------	---------	------------------

Ha-VIS RF-ANT-MR20-US

20 93 201 0302



Recommended accessories

Antenna cables

Ha-VIS Coax ...	Length	Part number
... SMA-TNC, RG58	3 m	20 93 204 0101
... SMA-TNC, LL240flex	3 m	20 93 204 0102
... SMA-TNC, LL240flex	10 m	20 93 204 0103

All data represent the current state of development at the time of print and are therefore non-binding.

HARTING reserves the right to modify designs without prior notice.

Technical characteristics

Electric properties

Frequency range	902 MHz ... 928 MHz (FCC)
Impedanz	50 Ohm
VSWR	< 1.5:1
Polarisation	Circular
Gain	2.5 dBic
Far field half-power beam width	100°
Front to back ratio	> 10 dB
Axial ratio	typ. 2 dB
Max. power (FCC 15.247)	1 W
Connection	TNC socket

Mechanical properties

Dimensions (B x H x T)	156 x 126 x 25 mm
Weight	0.3 kg
Degree of protection	IP 67
Antenna cover	Tough, weather-resistant polymer blend
Colour	RAL 7045 (light grey)
Installation	Four through-holes diameter 4.2 mm for M4 screws
Operating temperature range	-20 °C ... +55 °C
Storage temperature range	-40 °C ... +85 °C