

Wide Range RFID UHF Antenna

WIRA-40-linear-FCC

Order-No. 52010252

Technical features:

- compact design for ruggedized environmental applications
- read range *: up to 10 m
- ideal solution for toll collect applications
- suitable for bulk and single tag applications
- high IP 65 degree of protection
- suitable for outdoor use



* depending on tag properties, environment and requirements

Order-No.		52010252
Frequency range	MHz	902-928
Polarization		linear
Antenna gain	dBi	typ. 13
VSWR		< 1.5:1
Impedance	Ω	50
Front-to-back ratio	dB	> 25
max. input power (FCC 15.247)	dBm	+30 (at antenna port)
max. radiated power (FCC 15.247)	dBm	+36 EIRP
Far field half-power beam (if mounted like picture)	°	40 / 40
Connection		N female
Operating temperature range	°C	-20 to +55
Storage temperature range	°C	-40 to +85
Degree of protection		IP 65
Weight	kg	2.3
Dimensions (L x W x H)	mm	456 x 456 x 25 (45.5)
Packing size (L x W x H)	mm	approx. 470 x 495 x 65

Material:

- Antenna cover: thermoplastic radome, UV resistant
- Chassis: stainless steel

Mounting options:

- four M5 drill holes 100 x 100 mm VESA standardized

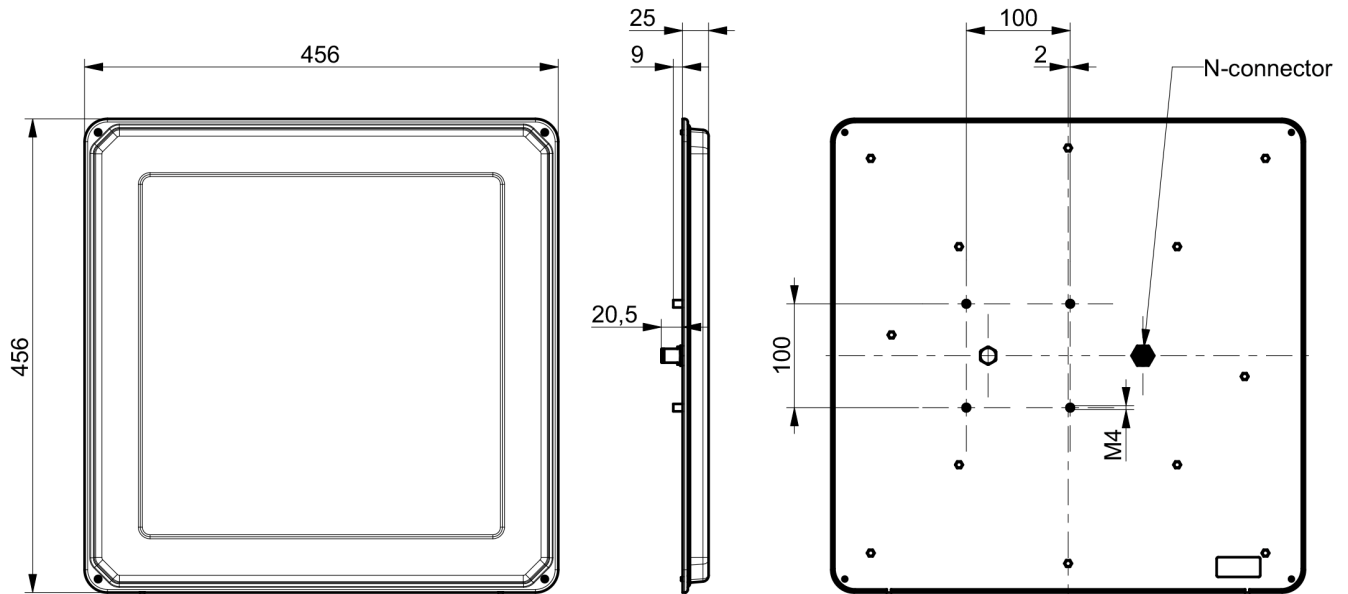
Accessories (optional):

- wall bracket (Order-No. 52010261), mounting kit for indoor use only
- wall/mast/gantry bracket (Order-No. 52010262), mounting kit for outdoor use



Wide Range RFID UHF Antenna
WIRA-40-linear-FCC
Order-No. 52010252

Dimensions in [mm]:



atlasRFIDstore.com
1.888.238.1155 • Inside USA
1.205.383.2244 • Outside USA

info@atlasRFIDstore.com • www.atlasRFIDstore.com