

# Wide Range RFID UHF Antenna

## WIRA-70-KRAI-FCC

Order-No. 52010194

**KATHREIN**  
RFID

### Technical features:



- controlled via Kathrein RFID Antenna Interface © KRAI
- dynamic and static polarization switching (Circular LHCP / Circular RHCP / Linear horizontal / Linear vertical)
- low axial ratio for optimum performance
- read range \*: up to 12 m
- 4 LEDs for visualization
- signal and controlling via standard antenna coaxial cable
- optimized for portal applications
- suitable for use in industrial environments
- high IP 65 degree of protection; suitable for outdoor use



\* depending on tag properties, environment and requirements

Order-No.		52010194
Frequency range	MHz	902-928
Polarization circular		LHCP / RHCP *
Antenna gain	dBiC	typ. 6.5
Axial ratio	dB	typ. 2
Polarization linear		horizontal / vertical
Gain	dBi	7.5
VSWR		typ. 1.5:1
Impedance	$\Omega$	50
Front-to-back ratio	dB	> 18
max. input power (FCC 15.247)	dBm	+30 (at antenna port)
max. radiated power (FCC 15.247)	dBm	+36 EIRP
Far field half-power beam width	°	69
Connection		TNC female
Operating temperature range	°C	-20 to +55
Storage temperature range	°C	-40 to +85
Degree of protection		IP 65
Weight	kg	1.7
Dimensions (L x W x H)	mm	271 x 271 x 45
Packing size (L x W x H)	mm	approx. 300 x 300 x 150

\* Left-/Right-Hand Circular Polarization

### Notes:

- the antenna can be operated only in conjunction with a © KRAI Reader
- when commissioning the antenna is circular RHC polarized

### Material:

- Antenna cover: tough, weather-resistant polymer blend, colour: RAL7045
- Chassis: aluminium
- Patch plate: brass tin-plated
- Seals: thermoplastic elastomer

### Mounting options:

- four M5 drill holes 100 x 100 mm VESA standardized

### Accessories (optional):

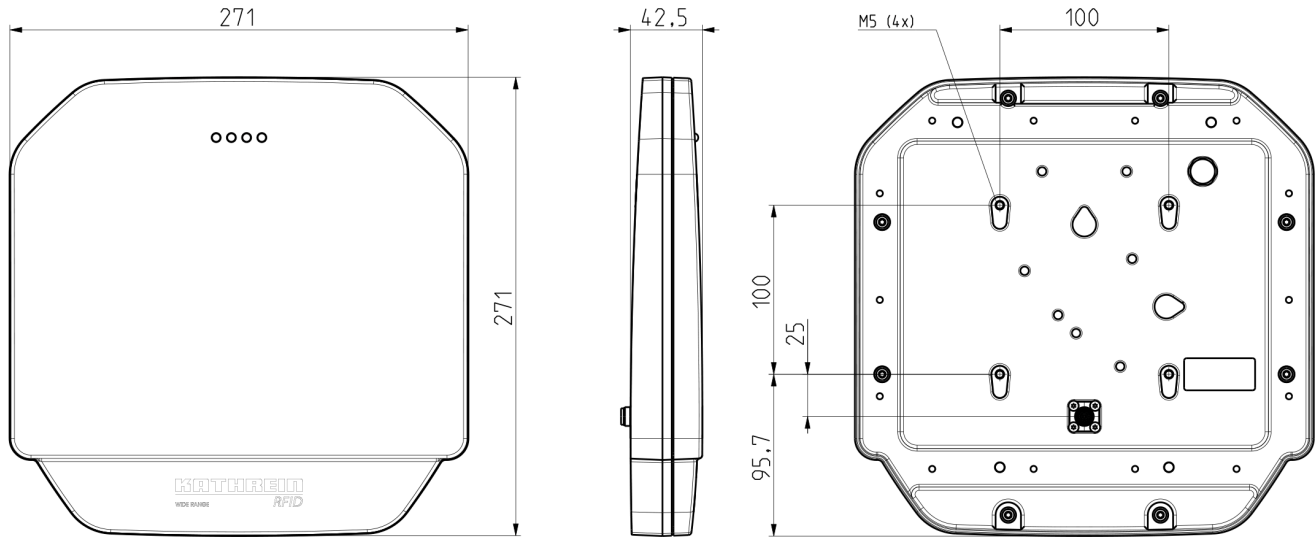
- wall/mast bracket (Order-No. 52010128), mounting kit for outdoor use



# Wide Range RFID UHF Antenna WIRA-70-KRAI-FCC Order-No. 52010194

**KATHREIN**  
RFID

Dimensions in [mm]:



## Description:

For classic far field applications with large reading distances, the Wide Range Antennas (WIRA) are the optimal choice: they are characterised by a very low axial ratio for circular polarization, whereby the dependence of reading results upon the position or alignment of tags is significantly reduced. For this reason they are also the ideal solution for portal applications in addition to many other application possibilities.

## Example applications:

- Gate applications for goods registration
- Logistics
- Vehicle registration
- Bulk and single tag applications



atlasRFIDstore.com  
1.888.238.1155 • Inside USA  
1.205.383.2244 • Outside USA

info@atlasRFIDstore.com • www.atlasRFIDstore.com