



# Circular Polarity RFID Panel Antenna

## S9028PCLJ S9028PCRJ (with 2 mounting studs)



### 902-928 MHz 9 dBiC CIRCULAR POLARITY PANEL

The RFMAX S9028 antenna is a circularly polarized panel that provides reception and transmission of signals in the 902-928 MHz frequency band. The antenna achieves maximum efficiency and performance across the entire frequency band.

Both VSWR and axial ratios are excellent and allow the user to achieve the maximum performance for an antenna of this type. The antenna is housed in a heavy duty radome enclosure that can be directly wall mounted, An optional articulating mount allows either wall or mast mounting.

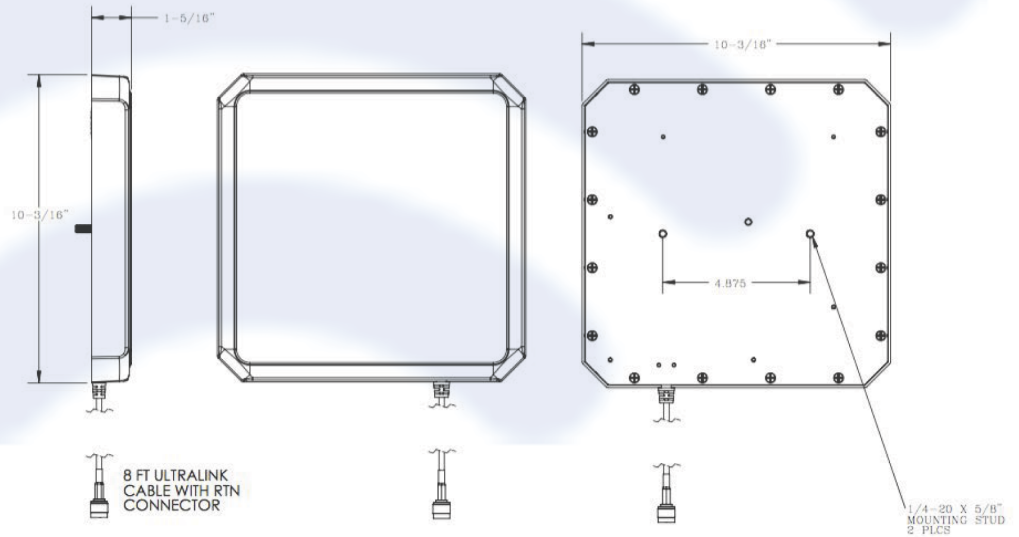
The antenna is offered with an integrated coax pigtail and a variety of connector types are available.

### FEATURES

- Low profile
- Extremely low VSWR and axial ratio
- Weather and UV resistant radome
- Wide range of connector and cable options
- Left hand and right hand CP versions
- Radome is UL 94-V2 rated for flammability
- White ABS plastic

### APPLICATIONS

- Warehouse
- Distribution center
- Airports and hospitals
- Transit terminals
- Conveyor belt



Part #	Polarity	Cable Length	Connector Style
S9028PCLJ96RTN	LHCP	96 inches / 8 Feet	RPTNC-Male
S9028PCRJ96RTN	RHCP	96 inches / 8 Feet	RPTNC-Male





# Circular Polarity RFID Panel Antenna

## S9028PCLJ S9028PCRJ (with 2 mounting studs)

### SPECIFICATIONS

Antenna Part Number	S9028PCL / S9028PCR
Frequency Range	902 - 928 MHz
Gain	8.5 dBic
Maxium VSWR	1.3:1
3 dB Beamwidth - Azimuth	70°
Front to Back Ratio	20 dB
Polarization	Circular Right or Left
Maxium Input Power	10 Watts
Input Impedence	50 Ohms
Axial Ratio	1dB Typical
Weight (Kg)	2.3 lbs (1.04)
Mechanical Size	10.2" x 10.2" x 1.32"
Antenna Connection	96" Coax Pigtail, Rev TNC Male
Radome	High Strength PC
Mount Style	Threaded Stud
Temperature Operational	-25°C to +70°C
Lightning Protection	DC Grounded
Environmental Rating	IP 54 UL94V

