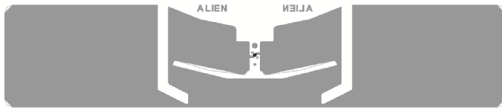




ALN-9954

“G” HIGH-DIELECTRIC INLAY

Accelerate with the next generation ultra-high-performance ALN-9954 “G” inlay by Alien Technology®. Fine tuned for windshields and high-dielectric materials, enabling class leading performance & reliability.



Applications

- Windshield glass
- Plastic pallets, totes, containers
- Asset management
- High-dielectric materials

FEATURE	DESCRIPTION	BENEFIT
Performance tuned for automotive windshields and high-dielectric materials	Compatibility with all standard far-field RFID reader antennas (fixed and handheld)	Exceptional performance for traditionally challenging RF materials
Reliable read / write performance with Sentinel™ memory	Bit error correction, improved read/write sensitivity, robust memory retention and 200,000 write cycles (2X that of competition)	Robust reliability of stored data & added protection against data loss/corruption

Features:

- › Worldwide operation in all RFID UHF bands (860-960 MHz)
- › Global GS1 Class 1 Gen 2 (V1.2.0) and ISO/IEC 18000-6C compliance
- › Class leading read and write performance
- › 1024 bits of NVRAM Memory
 - Up to 496 EPC bits (96-bits nominal)
 - Up to 688 User Bits
 - 48 bit Unique TID
 - 32 bit Access and 32 bit Kill passwords
- › User Memory may be Block Perma-Locked as well as read password protected in 32 bit blocks
- › Low power operation for both read and write
- › BlastWrite™ and QuickWrite™ mass-encoding
- › Dynamic Authentication™ - anti-cloning/anti-counterfeit technology
- › Available in high-yield, high capacity dry/wet inlay rolls



Product Overview:

Designed for increasingly complex Automotive windshield glass, traditionally difficult-to-tag RF materials and general purpose asset management, the 93x19 mm **Higgs™-9 UHF RFID IC** based “G” **antenna design** offers class leading performance and reliability.

Applications include (but not limited to):

- Automotive tolling, access control
- High-dielectric material tagging
- Metal-filled objects
- Applications requiring extra high sensitivity

Enhanced memory footprint includes a **48-bit Unique TID for authentication** and **serialization** applications and **password protected read and write** support to prevent unauthorized viewing and modification of the tag’s data.

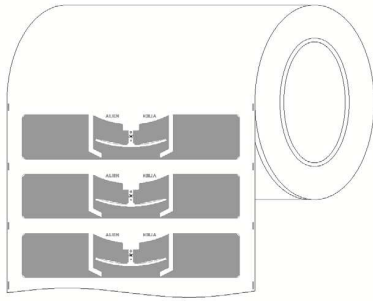
ALN-9954 inlays are World Tag compliant, enabling consistent operation across the diverse frequencies of the Americas, Europe, Middle East, Asia, and Africa.



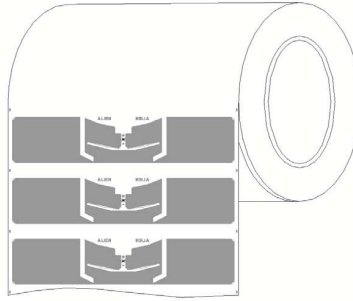


ALN 9954 "G" Inlay

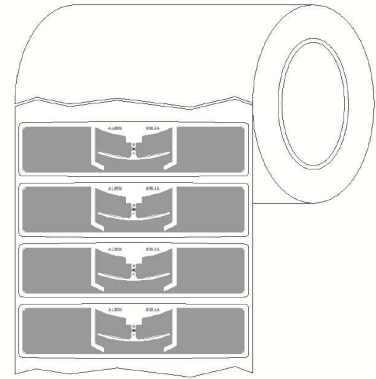
ALN-9954 Inlay Orientation



ALN-9954-R
(Dry Unslit Roll)



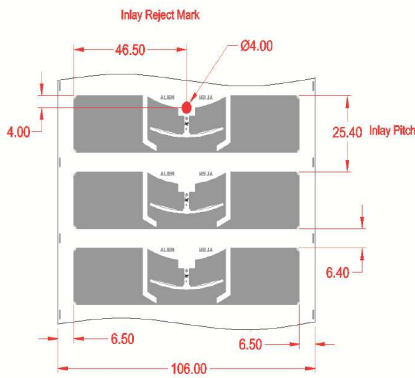
ALN-9954-SR
(Dry Slit Roll)



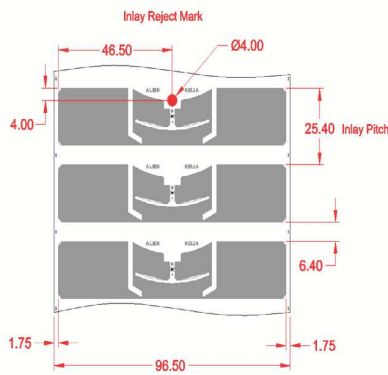
ALN-9954-WRW
(White Wet Roll)

Standard Alien Inlay rolls unwind with metal antenna side facing outward, with respect to the core.

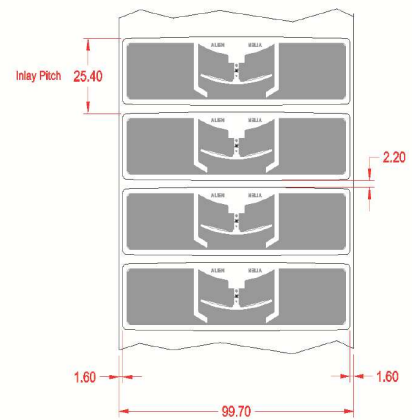
ALN-9954 Inlay Specification



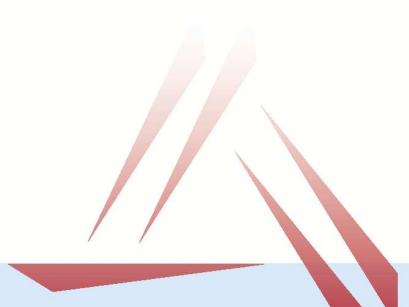
ALN-9954-R
(Dry Unslit Roll)



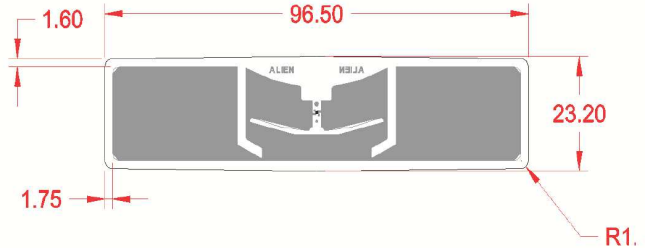
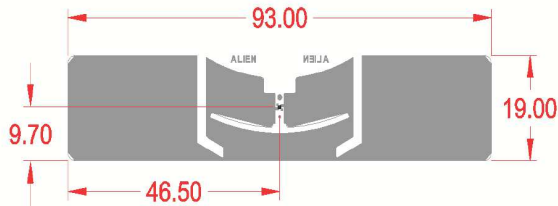
ALN-9954-SR
(Dry Slit Roll)



ALN-9954-WRW
(White Wet Roll)



ALN-9954 Inlay General Dimensions

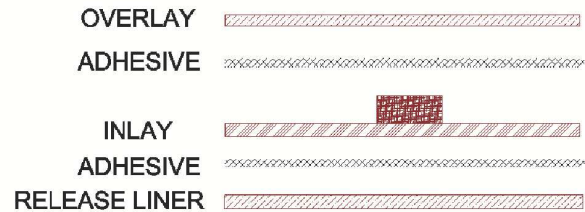
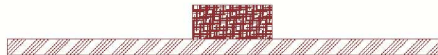


ALN-9954 Inlay Stackup

DRY INLAY THICKNESS ±10%	
Over Antenna	0.06mm
Over Chip	0.24mm

WHITE WET INLAY THICKNESS ±10%	
Over Antenna	0.16mm
Over Chip	0.32mm

INLAY

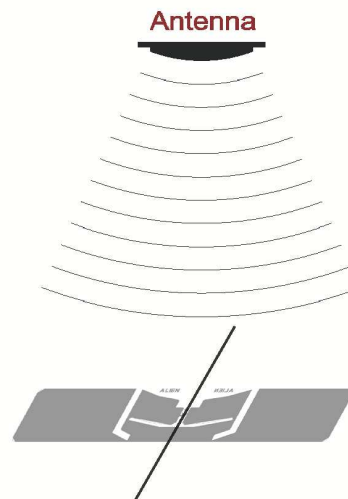


ALN-9954 Comparable Inlay Sensitivity

Read Range (On Windshield)	Average Measured Sensitivity (dBm)
ALN-9954	-20
ALN-9654	-16
Competitive Inlay	-15

On-windshield test sensitivity shows 9954 is a full 4 dBm BETTER than 9654 and around 5 dBm BETTER than comparable competitive windshield inlay.

*Figures provided for comparative reference, actual results may vary



Angular Sensitivity
Inlay is rotated in the x, y, plane about the z axis





ALIEN. ALN 9654 "G" Inlay

ALN-9954 Specifications

Dry Inlay

Antenna Width	3.66" [93.0mm]
Antenna Length	0.748" [19.0mm]
Web Width (-R)	4.173" [106.0mm]
Web Width (-SR)	3.799" [96.5mm]
Web Pitch	1.0" [25.4mm]
Core Width (-R)	3.799" [96.5mm]
Core Width (-SR)	4.173" [106.0mm]
Core ID	6" [152.4mm]*
Core Material	Fiberboard
Inlays per Roll	12,500 +/- 500
Maximum Roll OD	< 12" [304.8mm]
Roll Labeling Data	Roll #, Quantity

Wet Inlay

Inlay Width	3.799" [96.5mm]
Inlay Length	0.913" [23.2mm]
Web Width	3.925" [99.7mm]
Web Pitch	1.0" [25.4mm]
Core Width	3.874" [98.4mm]
Core ID	6" [152.4mm]*
Core Material	Fiberboard
Inlays per Roll	12,500 Nominal
Maximum Roll OD	< 16" [406.4mm]
Roll Labeling Data	Roll #, Quantity
White	TT Printable White Film Only
Overlay Adhesive	General Purpose Permanent
Inlay Adhesive	General Purpose Permanent
Adhesive Application Temperature	> +25°F [-4°C]
Adhesive Service Temperature	-40°F to +200°F [-40°C to +93.3°C]
Release Liner	40# SCK

Environmental

Shelf Life	Dry Inlays: 5 years at +77°F [+25°C] @ 40% RH Wet Inlays: 2 years at +77°F [+25°C] @ 40% RH
Recommended Storage	+77°F [+25°C] @ 40% RH
Storage Limits	-13°F to 122°F [-25°C to +50°C] 20% to 90% RH Non-condensing
Operating Limits	-40°F to +158°F [-40°C to +70°C] 20% to 90% RH Non-condensing
Bend Diameter	> 1.97" [50mm]
Pressure	< 5N/mm ²
Drop Resistance	Per ASTM D5276
Write Cycles	200,000 @ 25°C
RoHs	2002/95/EC, 2005/618/EC, 2011/65/EU Compliant
REACH	1907/2006/EC Compliant
ESD Limit- HBM / CDM	5.0kV / 1.5kV

RFID

Protocols Supported	ISO/IEC 18000-6C EPCglobal Class 1 Gen 2
Integrated Circuit	Alien Higgs-9
Operating Frequency	840-960 MHz
EPC Size	96 - 496 Bits
User Memory	Up to 688 Bits
TID	32 Bits
Unique TID	48 Bits
Access Password	32 Bits
Kill Password	32 Bits

* Shipped with 6" to 3" plastic core adapter

January 22, 2020

Copyright© 2020 Alien Technology LLC. All rights reserved.

Alien, Alien Technology, the Alien Technology logo, Spider, Higgs, Dynamic Authentication, QuickWrite, BlockWrite, Squiggle, and the Squiggle logo are trademarks or registered trademarks of Alien Technology Corporation in the U.S. and other countries.

HANDLING PRECAUTIONS Observe standard handling practices to minimize ESD.

DISCLAIMER Application recommendations are guidelines only - actual results may vary and should be confirmed. This is a general purpose product not designed or intended for any specific application.

This product is covered by one or more of the following U.S. patents: 7967204, 7931063, 7868766, 7373825, 7716208, 7716160, 7688206, 7659822, 7619531, 7615479, 7598867, 7580378, 7576656, 7562083, 7561221, 7559486, 7559131, 7554451, 7551141, 7542301, 7542008, 7531218, 7522055, 7500610, 7489248, 7453705, 7425467, 7417306, 7411503, 7385284, 7377445, 7364084, 7353598, 7342450, 7324061, 7321159, 7301458, 7295114, 7288432, 7265675, 7262686, 7260882, 7253735, 7244326, 7218527, 7214569, 7199527, 7193534, 7173528, 7172910, 7172789, 7141176, 7113550, 7101502, 7080444, 7070851, 7068224, 7046328, 6998644, 6988867, 6985361, 6980184, 6970219, 6952157, 6942155, 6933848, 6927085, 6816380, 6780696, 6731333, 6693384, 6683663, 6665044, 6657289, 6623279, 6602047, 6600079, 6593346, 6586338, 6565344, 6555408, 6527964, 6479395, 6468638, 6420266, 6316278, 6291596, 6281038. Other patents pending.

This product is licensed under patents of Round Rock Research, LLC, for use solely with UHF RFID Readers (such as Alien reader products) that are licensed under an agreement with Round Rock Research, LLC.

1 (888) 238-1155 Inside USA • 1 (205) 383-2244 Outside USA
info@atlasRFIDstore.com • www.atlasRFIDstore.com

atlasRFIDstore.com