



## Electrical specifications

### Device type

UHF RFID / EPCglobal Gen2v2

### Operational frequency

Global 865-928MHz

### IC type

Impinj M730

### Memory configuration

EPC 128bit; TID 96 bit

### EPC memory content

Unique random 96bit EPC in every label

### Read range (2W ERP)\*

Free air: Up to 10m / 33 ft

On plastic: up to 22 m / 72 ft

Paper reel: up to 10m / 33 ft\*

### Applicable surface materials\*\*

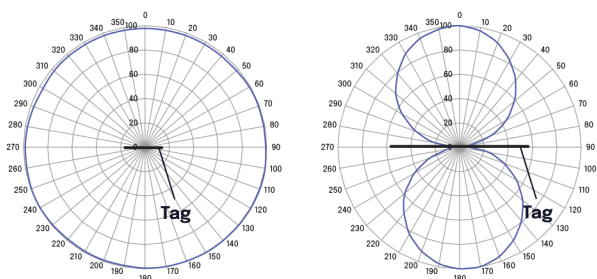
Plastic, wood, glass, works also on paper reel core.

\*Read range on paper reel is highly dependent on the type and amount of paper used.

\*\*Read ranges are theoretical values that are calculated for non-reflective environment, in where antennas with optimum directivity are used with maximum allowed operating power according to ETSI EN 302 208 (2W ERP). ETSI = 865 - 868 MHz, FCC = 902 - 928 MHz. Different surface materials may have an effect on performance.



## Radiation pattern



## Description

Label tuned for high dielectrics and designed specifically for paper reel core tagging.



## Mechanical specifications

### Tag materials

Printable white PET, resin ribbon is recommended

### Background adhesive

Permanent adhesive for general purpose use

### Weight

< 1 g

### Delivery format

2000 pcs on reel

### Pitch on reel

20,32 mm / 0.8"

### Reel core inner diameter

76 mm / 3"

### Tag dimensions

For 3003495:

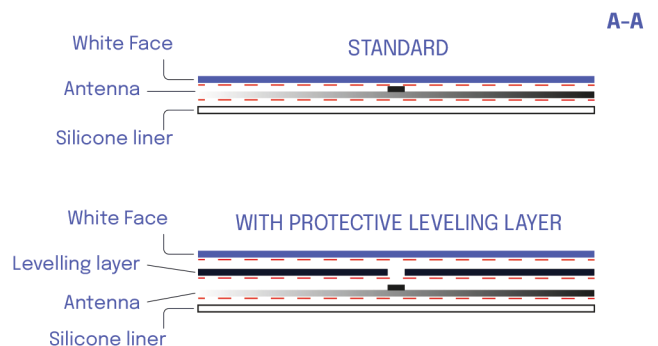
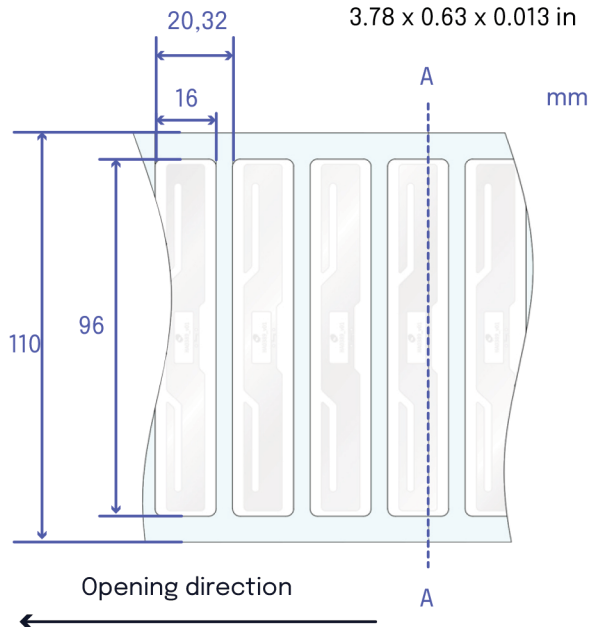
96 x 16 x 0.2 mm /

3.78 x 0.63 x 0.01 in

For 3004032:

96 x 16 x 0.34 mm /

3.78 x 0.63 x 0.013 in





## Installation instructions

Tag polarization



Ideal installation conditions are +20°C (+68°F) / 50% RH. For exceptional conditions, please contact Beontag. Adhesive of the label will provide best adhesion in 24 hours after the installation. Bond strength can be improved with firm application pressure. Always clean and dry the surface for obtaining the maximum bond strength. Avoid touching the background adhesive.

Minimum bending diameter of label is defined to be 50mm. Do not bend the label above the limit. Never touch the IC location. IC is a sensitive electrical component and can be damaged if unexpected pressure is applied on it.



## Personalization options

### Pre-encoding

Customer-specific encoding of EPC or user memory. Locking permanently or with password.

### Customized printing

Customer specific layout including logo, text, numbers, barcodes etc.



## Environmental resistance

### Operating temperature

-35°C to +85°C / -31°F to +185°F

### Ambient temperature

-35°C to +85°C / -31°F to +185°F

### Storage condition

1 year in +20°C / 50% RH (shelf life for adhesive)

### Expected lifetime

Years in normal operating conditions

Values in the table are the best recommendations; resistance against environmental conditions depends on the combination of all influencing factors, exposure duration and chemical concentrations. Thus, product's final suitability for certain environmental conditions is recommended to be tested. Contact Beontag for more specific information.



## Order informations

Product number: **3003945**

Product Name: **Beontag Paper Reel Label M730**

Product number: **3003945**

Product Name: **Beontag Paper Reel Label Protected M730, With leveling layer**

For other versions, additional information and technical support please contact Beontag.

# BEONTAG PAPER REEL LABEL

## DISCLAIMER

THE MATERIALS, PRODUCTS AND SERVICES ARE SOLD SUBJECT TO ITS STANDARD CONDITIONS OF SALE, WHICH ARE INCLUDED IN THE APPLICABLE DISTRIBUTOR OR OTHER SALES AGREEMENT. ALTHOUGH ANY INFORMATION, RECOMMENDATIONS, OR ADVICE CONTAINED HEREIN IS GIVEN IN GOOD FAITH, BEONTAG MAKES NO WARRANTY OR GUARANTEE, EXPRESS OR IMPLIED, (i) THAT THE RESULTS DESCRIBED HEREIN WILL BE OBTAINED UNDER END-USE CONDITIONS, OR (ii) AS TO THE EFFECTIVENESS OR SAFETY OF ANY DESIGN INCORPORATING ITS PRODUCTS, MATERIALS, SERVICES, RECOMMENDATIONS OR ADVICE. EXCEPT AS PROVIDED IN BEONTAG STANDARD CONDITIONS OF SALE, BEONTAG AND ITS REPRESENTATIVES SHALL IN NO EVENT BE RESPONSIBLE FOR ANY LOSS RESULTING FROM ANY USE OF ITS MATERIALS, PRODUCTS OR SERVICES DESCRIBED HEREIN.

Each user bears full responsibility for making its own determination as to the suitability of Beontag products, materials, services, recommendations, or advice for its own particular use. Each user must identify and perform all tests and analyses necessary to assure that its finished systems incorporating Beontag products, materials, or services will be safe and suitable for use under end-use conditions. Nothing in this or any other document, nor any oral recommendation or advice, shall be deemed to alter, vary, supersede, or waive any provision of this Disclaimer, unless any such modification is specifically agreed to in a writing signed by Beontag.

## About Beontag

From the science of graphic and label materials, RFID and wireless IoT enablers, we create solutions across the value chain to deliver digital transformation for businesses around the world.

Sustainability is at the core of what we do and we strongly believe that by substituting non-renewable materials and innovating through more sustainable and renewable products, we act as an ESG enabler for our customers' value chain.

Beontag is one of the world's leading providers of RFID and wireless IoT solutions, being present in more than 40 countries with 7 R&D centers and 2,000 employees, in constant development of technological and sustainable solutions designed to connect items, and gain efficiency and end-to-end traceability

The performance of the product should always be tested in the actual application conditions. Our recommendations are based on our most current knowledge and experience and the pictures and illustrations presented in this document are for illustration purposes only. As our products are used in conditions beyond our control, we cannot assume any liability for damage caused through their use. Beontag reserves the right to change its products and services at any time without notice.



©Beontag



atlasRFIDstore

(205) 383-2244

[sales@atlasRFIDstore.com](mailto:sales@atlasRFIDstore.com)

[www.atlasRFIDstore.com](http://www.atlasRFIDstore.com)