



Description

All-surface tag for logistics, transportation and yard management applications with top performance

Electrical specifications

Device type

UHF RFID / EPCglobal Gen2v2

Operational frequency

ETSI 865 - 869 MHz
 FCC 902 - 928 MHz

ETSI IC options and memory configurations

Impinj M780™
 • EPC 496 bit; User 128 bit; TID 96 bit
 NXP UCODE G2iM+
 • EPC 448 bit; User 640 bit; TID 96 bit

FCC IC options and memory configurations

Impinj M780™
 • EPC 496 bit; User 128 bit; TID 96 bit

EPC memory content

Unique number encoded as a default

Read range (2W ERP)*

M780:
 • On metal up to 27 m / 90 ft
 • Other materials up to 10 m / 33 ft

Applicable surface materials*

All surfaces

*Read ranges are theoretical values that are calculated for non-reflective environment. Different surface materials may influence performance.

Mechanical specifications

Tag materials

High quality engineering plastics.

Amount in box

100 pcs

Weight

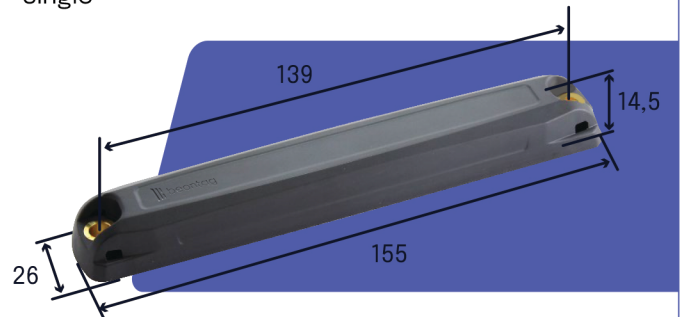
31 g

Dimensions

155mm x 26mm x 14,5mm /
 6.1" x 1.02" x 0.57"

Delivery format

Single



Personalization options

Pre-encoding

Customer-specific encoding of EPC or user memory. Locking permanently or with password.

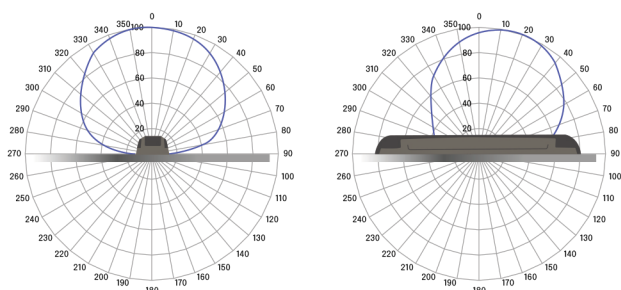
Customized data label

Customer specific layout including logo, text, numbers, barcodes etc.

Customized laser engraving

Customer specific layout including logo, text, numbers, barcodes etc.

Radiation pattern





Installation instructions

Beontag Survivor can be attached with several fixing methods:

1. High performance acrylic adhesive (not included by default)

When background adhesive is ordered the tag is delivered with adhesive attached. Clean and dry the surface for obtaining the maximum bond strength. Ideal application temperature is from +21°C to +38°C (+70°F to +100°F), bond strength can be improved with firm application pressure and moderate heating from +38°C to +54°C (+100°F to +130°F). Installation at temperatures below 10°C (50°F) is not recommended.

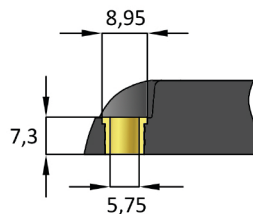
2. Other adhesive fixings

- Polyurethane adhesives
- Epoxies
- Silicone sealants

Structural adhesives like 3M DP410 provide very high bond strength and resistance against mechanical stress. When tag is attached with sealant adhesive, insert a layer of sealant under the tag and press the tag on the surface. Increase the bond by adding extra sealant from the tag holes. Adhesive type and thickness may have an effect on tag performance. Insert maximum 2mm layer of adhesive under the tag. Please refer to adhesive supplier for exact fixing instructions and test the performance with chosen adhesive.

3. Mechanical fixing

Mechanical fixing is recommended to be used in every application that includes risk for high mechanical stress or low temperature during tag fixing. Mechanics are designed for M5 sized screw. Refer the dimensional picture for screw selection.



4. Cable tie

Beontag Survivor has specific design that allows also plastic or metallic cable ties to be used for fixing. Maximum width of tie is 4mm. Please see picture below for an example.



Polarization of Beontag Survivor is according to its longest dimension. This should be taken into account when using linearly polarized reader antennas.



Order informations

Product number: **3004277**

Product Name: **Beontag Survivor M780 ETSI**

Product number: **3001137**

Product Name: **Beontag Survivor G2iM+ ETSI**

Product number: **3004278**

Product Name: **Beontag Survivor M780 FCC**

For other versions, additional information and technical support please contact Beontag.

DISCLAIMER

THE MATERIALS, PRODUCTS AND SERVICES ARE SOLD SUBJECT TO ITS STANDARD CONDITIONS OF SALE, WHICH ARE INCLUDED IN THE APPLICABLE DISTRIBUTOR OR OTHER SALES AGREEMENT. ALTHOUGH ANY INFORMATION, RECOMMENDATIONS, OR ADVICE CONTAINED HEREIN IS GIVEN IN GOOD FAITH, BEONTAG MAKES NO WARRANTY OR GUARANTEE, EXPRESS OR IMPLIED, (i) THAT THE RESULTS DESCRIBED HEREIN WILL BE OBTAINED UNDER END-USE CONDITIONS, OR (ii) AS TO THE EFFECTIVENESS OR SAFETY OF ANY DESIGN INCORPORATING ITS PRODUCTS, MATERIALS, SERVICES, RECOMMENDATIONS OR ADVICE. EXCEPT AS PROVIDED IN BEONTAG STANDARD CONDITIONS OF SALE, BEONTAG AND ITS REPRESENTATIVES SHALL IN NO EVENT BE RESPONSIBLE FOR ANY LOSS RESULTING FROM ANY USE OF ITS MATERIALS, PRODUCTS OR SERVICES DESCRIBED HEREIN.

Each user bears full responsibility for making its own determination as to the suitability of Beontag products, materials, services, recommendations, or advice for its own particular use. Each user must identify and perform all tests and analyses necessary to assure that its finished systems incorporating Beontag products, materials, or services will be safe and suitable for use under end-use conditions. Nothing in this or any other document, nor any oral recommendation or advice, shall be deemed to alter, vary, supersede, or waive any provision of this Disclaimer, unless any such modification is specifically agreed to in a writing signed by Beontag.

About Beontag

From the science of graphic and label materials, RFID and wireless IoT enablers, we create solutions across the value chain to deliver digital transformation for businesses around the world.

Sustainability is at the core of what we do and we strongly believe that by substituting non-renewable materials and innovating through more sustainable and renewable products, we act as an ESG enabler for our customers' value chain.

Beontag is one of the world's leading providers of RFID and wireless IoT solutions, being present in more than 40 countries with 7 R&D centers and 2,000 employees, in constant development of technological and sustainable solutions designed to connect items, and gain efficiency and end-to-end traceability

The performance of the product should always be tested in the actual application conditions. Our recommendations are based on our most current knowledge and experience and the pictures and illustrations presented in this document are for illustration purposes only. As our products are used in conditions beyond our control, we cannot assume any liability for damage caused through their use. Beontag reserves the right to change its products and services at any time without notice.



©Beontag



atlasRFIDstore

(205) 383-2244

sales@atlasRFIDstore.com
www.atlasRFIDstore.com