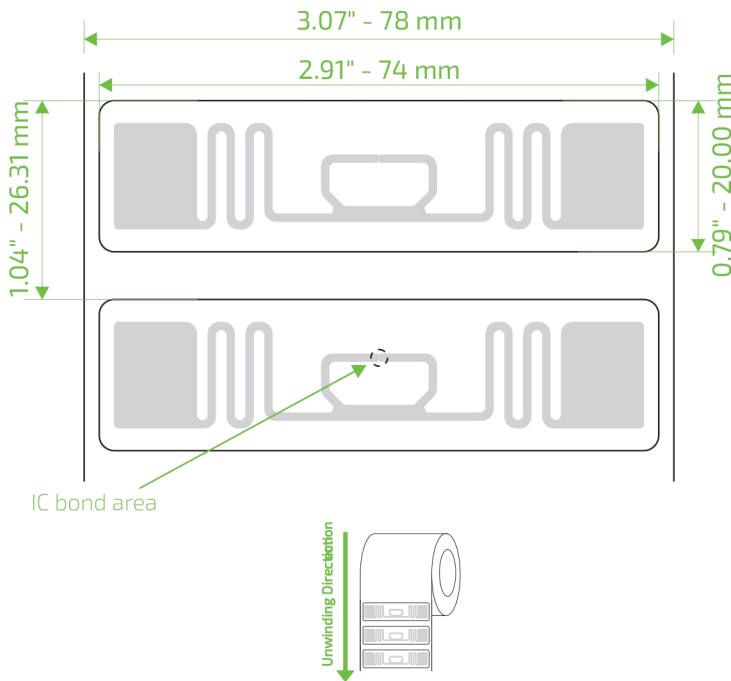


UHF RFID

CCRR E62 74x20 Wet Inlay



Description:

Versatile inlay, suitable for a wide range of surfaces: wood, plastic, cardboard, rubber, cotton tissue and denim.

Market Applications:

- Apparel and other item-level retail
- Asset Management
- Supply chain, inventory and logistics

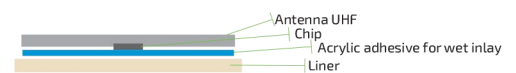
Key Benefits:

- Fast reading
- Quickness of counting
- Traceability

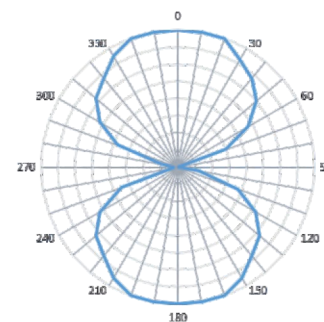
TECHNICAL SPECIFICATION				
Name	CCRR E62 74x20 WET INLAY			
SKU	R6	AN772N100		
	R6-P	AN772N101		
Size	Die-cut	Antenna		
	74x20 mm*	70x14 mm		
Web	78.00 mm* - 3.07"			
Pitch	26.31 mm* - 1.03"			
Gap	6.31 mm* - 0.24"			
Op. Frequency	860-960 MHz			
Standards	RAIN RFID ISO 18000-63 and EPC Global Gen2v2			
Integrated Circuit	Impinj Monza R6 or R6-P			
Memory	R6	TID	User	EPC
	R6-P	96 bits (48 uniques)	none 32/64 bits	96 bits 128/96 bits
Front Material	Aluminium with PET material			
Back Material	Liner with lamination permanent acrylic adhesive ADC200F			
Core size	76.2 mm - 3"			
Reel Diameter	203.2 mm - 8"			
Qty per reel	10,000 good units (yield > 99%)			
Void mark	Circle mark in the chip position			
ESD	2,000 V HBM (Human Body Model)			
Net Weight	5.5 kg - 12.12 lbs (Standard roll)			
Storage	23°C ±3°C / 50% RH ± 5%			
Op. Temperature	-40°C to 85°C			

* The dimension can vary up to ± 2 mm (0.07")

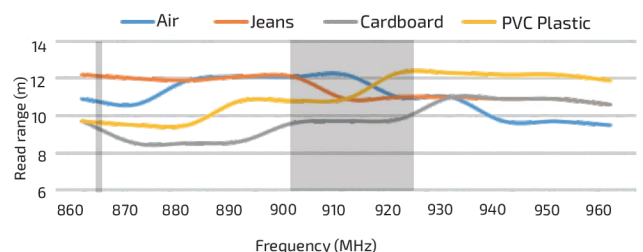
Structure



Angular Sensitivity



Read range



All graphs are generated in laboratory. Real-life performance may vary. Reader power: 29 dBm. Antenna sensitivity: -70 dBm.