

Product Specification

v1.0

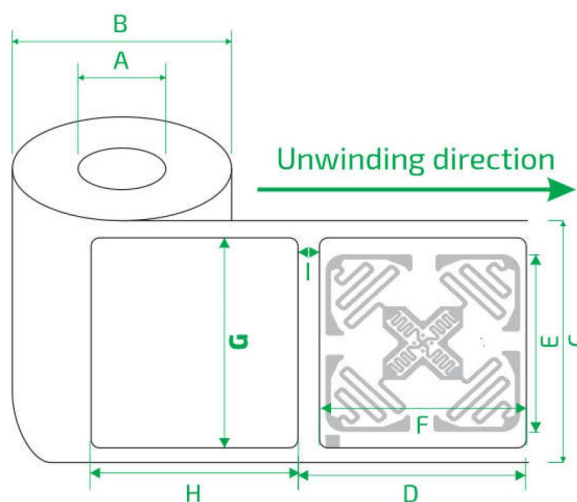
SKU: AN944N100

Operating frequency	860-960 MHz
Air interface protocol	RAIN RFID / ISO 18000-63 and EPCglobal Gen2v2

IC - Integrated Circuit

Model	Impinj Monza 4QT
TID	96 bits of Serialized TID with 48-bit serial number
EPC	128 bits
User	512 bits
Reserved	32 bits Access Password, 32 bits Kill Password
Data Retention	50 years
Programming Cycles	100,000 cycle endurance
Read Sensitivity	- 19.5 dBm
Write Sensitivity	- 16.7 dBm

Mechanical Specification



Dimension	Item	Metric [mm]	Tolerance [mm]	US [in]
A	Core inner diameter	76.2	2	3
B	Roll max outer diameter (\leq)	203.2	5	8
C	Web width	54	1	2.13
D	Pitch length per piece (MD)	51.86	0.5	2.04
E	Antenna width	44	0.2	1.73
F	Antenna height	44	0.5	1.73
G	Die-cut width	48	0.5	1.89
H	Die-cut height	47	0.5	1.85
I	GAP	4.86	1	0.19
	Register Mark	3x3	0.5	0.12x0.12

* Not applicable.

Product Structure



Front material	BOPP White
Back Material	Liner, 60 g/m ²
Antenna material	Aluminum 10 μm on a PET 50μm substrate
Adhesive	Functional Permanent PSA Acrylic (ADC1200)
Min. labelling temperature	0 °C
Service temperature	-40 to 90 °C (maximum related to the top high temperature of the adhesive)
Peel min.	3 N / 25 mm (FTM 2)
Total Thickness	213 μm (± 13 μm)

Characteristics

Max. consecutive faulty tags	3
IC operating temperature	-40 °C to 85°C, 50 % RH
Shelf life	1 year (from manufacturing date)
Storage	23 °C ±3 °C / 50% RH ± 5%
Yield	> 99%
ESD voltage immunity	2 kV peak HBM (Human Body Model)
Bending diameter	> 50 mm, tension less than 10 N

Packaging

Qty per Roll	2,500 (standard roll for 8")
Roll Net Weight	3 kg - 6.61 lbs
Box	230 x 230 x 120 mm (1 roll per box)
Master Box	NA*

* Not applicable.