

# CCRR H61 54x34mm Sticker Label **CCRR**<sup>®</sup>

RFID

## Product Specification

v1.0

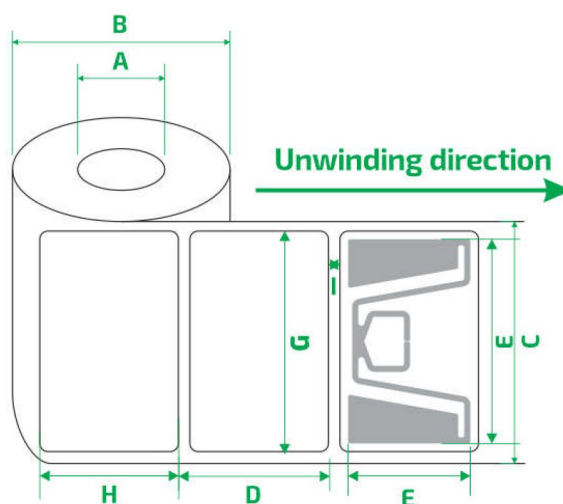
**SKU: AN853N101**

Operating frequency	860-960 MHz
Air interface protocol	RAIN RFID / ISO 18000-63 and EPCglobal Gen2v2

## IC - Integrated Circuit

Model	Impinj Monza R6-P
TID	96 bits of Serialized TID with 48-bit serial number
EPC	96 / 128 bits
User	64 / 32 bits
Reserved	32 bits Access Password, 32 bits Kill Password
Data Retention	50 years
Programming Cycles	100,000 cycle endurance
Read Sensitivity	- 22.1 dBm
Write Sensitivity	- 17.3 dBm

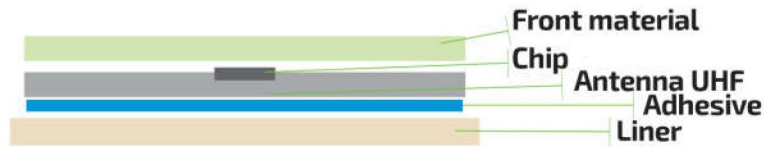
## Mechanical Specification



Dimension	Item	Metric [mm]	Tolerance [mm]	US [in]
A	Core inner diameter	76.2	2	3
B	Roll max outer diameter ( $\leq$ )	203.2	5	8
C	Web width	60	1	2.36
D	Pitch length per piece (MD)	36.83	0.5	1.45
E	Antenna width	50	0.2	1.97
F	Antenna height	30	0.5	1.18
G	Die-cut width	54	0.5	2.12
H	Die-cut height	34	0.5	1.34
I	GAP	2.83	1	0.11
	Register Mark	NA*	--	--

\* Not applicable.

## Product Structure



Front material	White woodfree paper, 101 µm
Back Material	Liner, 60 g/m <sup>2</sup>
Antenna material	Aluminum 10 µm on a PET 50µm substrate
Adhesive	Functional Permanent PSA Acrylic (ADC1200)
Min. labelling temperature	0 °C
Service temperature	-40 to 90 °C (maximum related to the top high temperature of the adhesive)
Peel min.	3 N / 25 mm (FTM 2)
Total Thickness	213 µm (± 13 µm)

## Characteristics

Max. consecutive faulty tags	3
IC operating temperature	-40 °C to 85°C, 50 % RH
Shelf life	1 year (from manufacturing date)
Storage	23 °C ±3 °C / 50% RH ± 5%
Yield	> 99%
ESD voltage immunity	2 kV peak HBM (Human Body Model)
Bending diameter	> 50 mm, tension less than 10 N

## Packaging

Qty per Roll	5,000 ( standard roll for 8")
Roll Net Weight	3 kg - 6.61 lbs
Box	230 x 230 x 120 mm (1 roll per box)
Master Box	NA*

\* Not applicable.