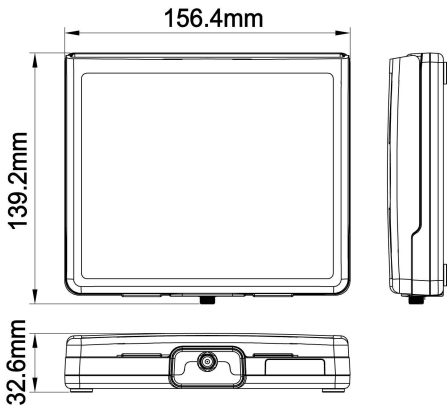




CS108C Dual External Battery Charger for CS108B



Information about the product

Dimensions	Length: 156.4mm(6.16 in); Width: 139.2mm(5.48 in); Thickness: 32.6mm(1.28 in)
Weight	Weight of CS108C Charger: 234 g Weight of Power Adaptor: 323 g
Style	Desktop Design
Charging Bays	2 charging bays
Application	For charging CS108B Battery Packs
Product Color	Black with plastic protection cover
Compatible Product	CS108B Rechargeable Lithium-ion Polymer Battery Pack
Packaging	1 pc(s); single packed with power adaptor and power cord
Warranty	6 months
Certifications	UL: File Number E353088 CE: EN 60950-1:2006 + A11:2009 + A1:2010 + A12:2011 + A2:2013 EN 55032: 2015; EN 55024: 2010/A1: 2015; EN 61000-3-2: 2014; EN 61000-3-3: 2013;
Charging Method	CS108B can be charged using CS108C, the external 2 slot charger for CS108B.
Order Code :	CS108C

Contact us at info@convergence.com.hk or visit our website at www.convergence.com.hk