

PRODUCT DATASHEET

Confidex Steelwave HF™



ELECTRICAL SPECIFICATION

Device type

NFC Forum Type 5

Air interface protocol

ISO 15693

Operational frequency

13,56 MHz

IC type

NXP ICODE SLIX2

Memory configuration

User memory 2528bits

Read range*

Mobile phone up to 25mm

Fixed reader up to 25mm

Applicable surface materials*

Metal

* Read ranges are measured in laboratory environment and there can be some variation in real application. Also used surface material and IC type might affect the read range.

MECHANICAL SPECIFICATION

Tag materials

Printable white PET, resin ribbon recommended.

Background adhesive

High tack adhesive with excellent adhesion to all surfaces including low surface energy plastics and painted metal

Weight

< 1 g

Delivery format

500 pcs / reel

Pitch on reel

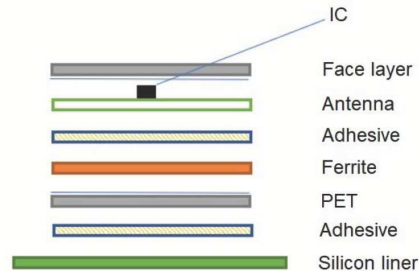
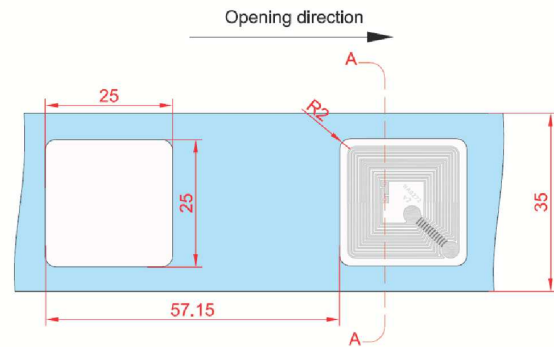
57,15 mm / 2.25 in

Reel core inner diameter

76 mm / 3"

Tag dimensions

25 x 25 x 0,46 mm / 0.98 x 0.98 x 0.018 in



ENVIRONMENTAL RESISTANCE

Operating temperature

-35°C to +85°C / -31°F to +185°F

Ambient temperature

-35°C to +90°C / -31°F to +194°F

Water resistance

Good, tested 5 hours in 1m deep water (IP68)

Chemical resistance

No physical or performance changes in:
- 168h Salt water (salinity 10%) exposure
- 168h Motor oil exposure
- 24h Sulfuric acid (10%, pH 2) exposure
- 24h NaOH (10%, pH 13) exposure
- 20min acetone exposure

Storage condition

1 year in +20°C / 50% RH (shelf life for adhesive)

Expected lifetime

Years in normal operating conditions

Values in the table are the best recommendations; resistance against environmental conditions depends on the combination of all influencing factors, exposure duration and chemical concentrations. Thus, product's final suitability for certain environmental conditions is recommended to be tested. Contact Confidex for more specific information.

PERSONALIZATION OPTIONS

Pre-encoding

- Customer-specific encoding

Visual marking

- Variable printing of customer-specific content (such as QR-code, barcode, serial number)
- Color artwork, branding

INSTALLATION INSTRUCTIONS

Ideal installation conditions are +20°C (+68°F) / 50% RH. For exceptional conditions, please contact Confidex. Bond strength can be improved with firm application pressure. Always ensure clean surface for obtaining the maximum bond strength.

During attachment to the identified item, please avoid touching the background adhesive. If the location on the asset needs to be changed, please use a new tag instead of re-placing the used one; the adhesion will suffer from the re-placement.

Minimum bending diameter of the Confidex Steelwave HF™ is defined to be 50mm. Do not bend the label above the limit. Never touch on the location of the IC. IC is a sensitive electrical component and can be damaged if unexpected pressure is applied on it.

ORDER INFORMATION

Product number: 3003273

Product name: Confidex Steelwave HF™ SLIX2

For additional information and technical, and other product versions, contact Confidex Ltd.

DISCLAIMER

THE MATERIALS, PRODUCTS AND SERVICES ARE SOLD SUBJECT TO ITS STANDARD CONDITIONS OF SALE, WHICH ARE INCLUDED IN THE APPLICABLE DISTRIBUTOR OR OTHER SALES AGREEMENT. ALTHOUGH ANY INFORMATION, RECOMMENDATIONS, OR ADVICE CONTAINED HEREIN IS GIVEN IN GOOD FAITH, CONFIDEX MAKES NO WARRANTY OR GUARANTEE, EXPRESS OR IMPLIED, (i) THAT THE RESULTS DESCRIBED HEREIN WILL BE OBTAINED UNDER END-USE CONDITIONS, OR (ii) AS TO THE EFFECTIVENESS OR SAFETY OF ANY DESIGN INCORPORATING ITS PRODUCTS, MATERIALS, SERVICES, RECOMMENDATIONS OR ADVICE. EXCEPT AS PROVIDED IN CONFIDEX STANDARD CONDITIONS OF SALE, CONFIDEX AND ITS REPRESENTATIVES SHALL IN NO EVENT BE RESPONSIBLE FOR ANY LOSS RESULTING FROM ANY USE OF ITS MATERIALS, PRODUCTS OR SERVICES DESCRIBED HEREIN.

Each user bears full responsibility for making its own determination as to the suitability of Confidex products, materials, services, recommendations, or advice for its own particular use. Each user must identify and perform all tests and analyses necessary to assure that its finished systems incorporating Confidex products, materials, or services will be safe and suitable for use under end-use conditions. Nothing in this or any other document, nor any oral recommendation or advice, shall be deemed to alter, vary, supersede, or waive any provision of this Disclaimer, unless any such modification is specifically agreed to in a writing signed by Confidex.