

Cutter Module

The cutter module for PC45 series printer allows you to print on non-adhesive, continuous label stock.

Out of the Box

Use these instructions to install the cutter in the PC45 series printer. You will find the following items in the shipping box.

- Cutter Module

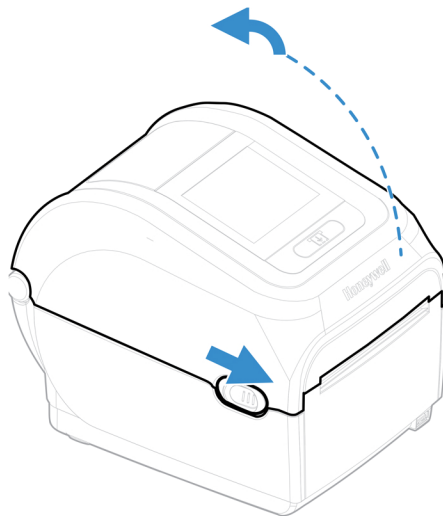
Note: This procedure applies to both the PC45d and PC45t printers. For simplicity, the PC45d printer is depicted in the illustrations.



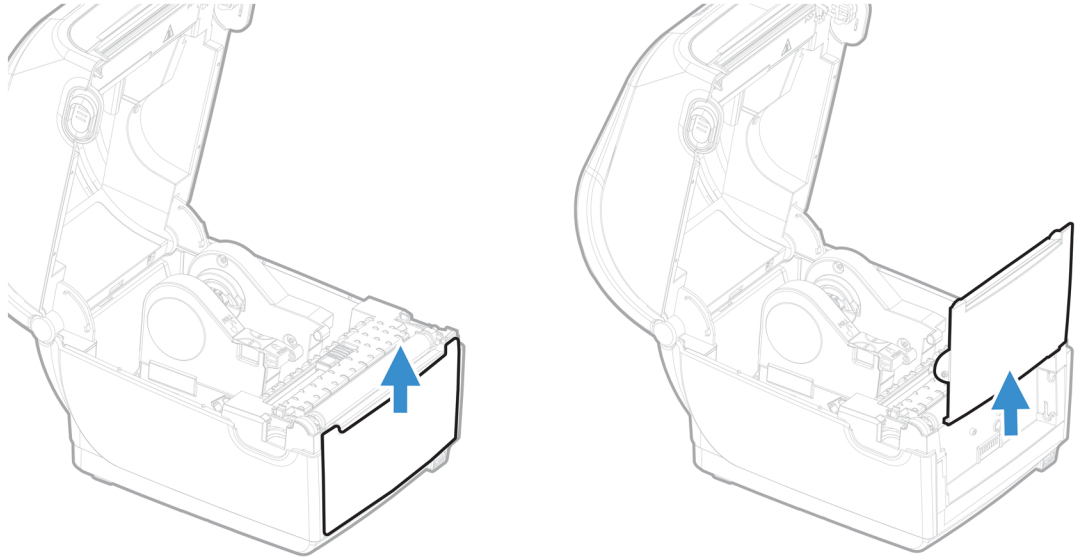
Warning: You must not use the cutter to cut through any kind of adhesive, or other soft material, that may stick to the cutting parts and render the cutter inoperable or even damage the electric motor.

Installation

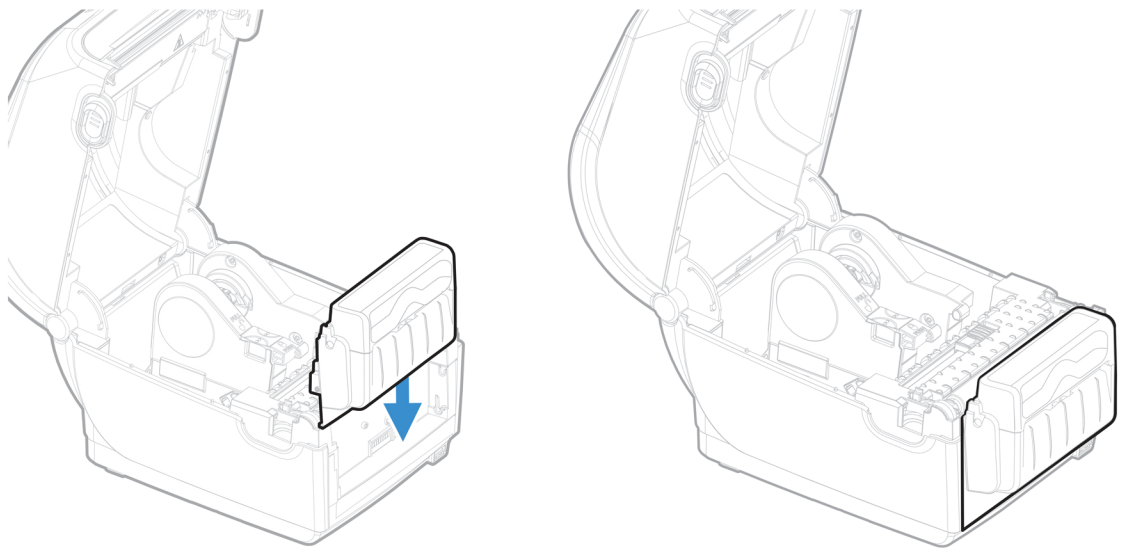
Open the media lid.



Slide the printer front door up and remove it from the printer.

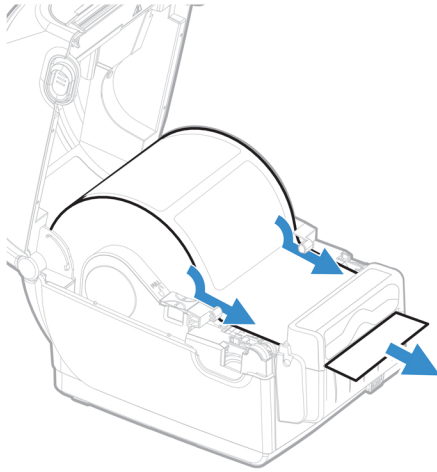


Slide the cutter module down to the front of the printer until it locks in place.



Load media

Thread media into the slot in the cutter accessory and out through the front of the cutter.



Close the printer lid until it snaps shut.

