

PC23d | PC43d | PC43t

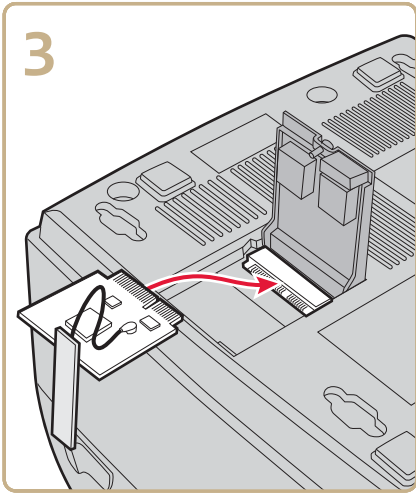
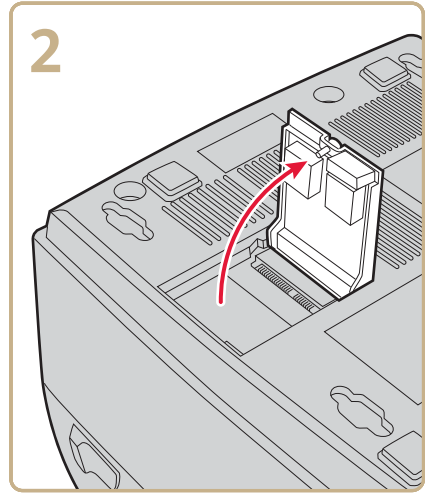
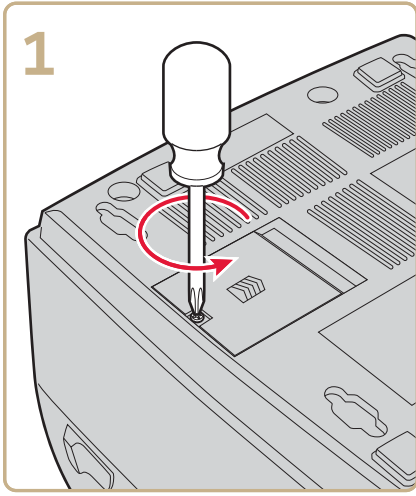
Wi-Fi/Bluetooth Module Installation Instructions

Turn the printer off and disconnect the power cable before you begin.

The illustrations show how to install the module in a PC43d printer. The module position is different in the PC23d and PC43t printers as shown in Step 4.

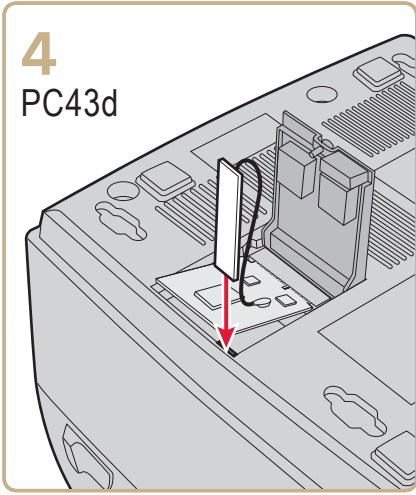


Follow standard electrostatic discharge (ESD) guidelines to avoid damaging equipment.

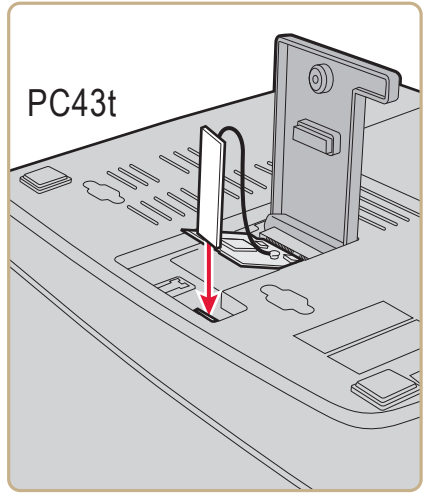


4

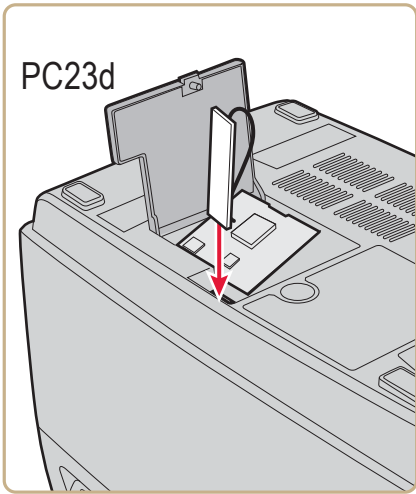
PC43d



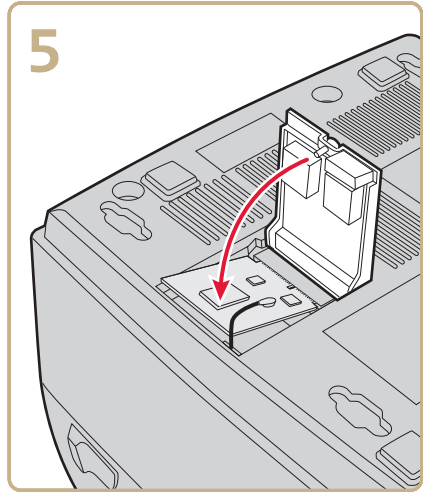
PC43t



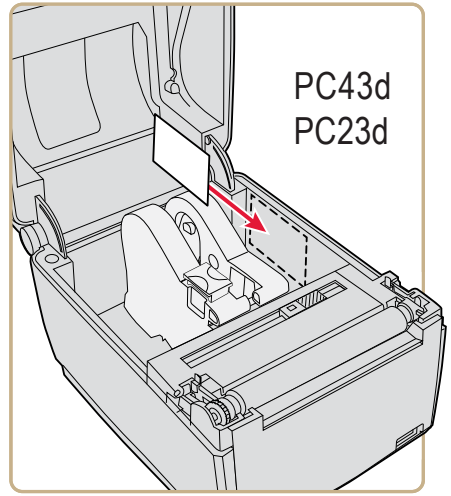
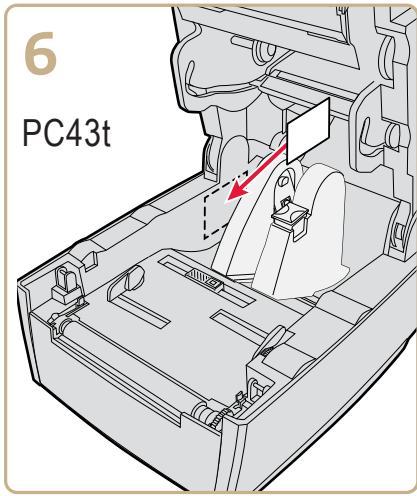
PC23d



5



Route the antenna cable to keep clear of the access door.



For more information, see the *PC23 and PC43 Desktop Printer User Manual*.