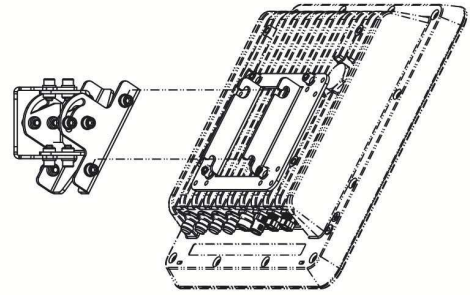


Wall/pole mount kit for installing RRU 4000 and ARU 3000 readers and WRA 7070 antennas (up to 8.0 kg total weight).



## > General Specifications

<b>Order No.</b>		<b>52010351</b>
<b>Type</b>		MK-WPM3-OSS
<b>Weight</b>	[kg]	1.1
<b>Max. load-bearing capacity</b>	[kg]	8
<b>Adjustment range</b>		
	Elevation	±45°
	Azimuth	±45°
<b>Dimensions</b>	[mm]	154 x 124 x 89
<b>Package size (L x W x H)</b>	[mm]	154 x 124 x 89
<b>Degree of protection</b>		outdoor
<b>Material</b>		stainless steel

## > Usable with the Following Readers

<b>RRU 4000 Reader Series</b>	<b>Order No.</b>	<b>Type</b>
	52010287 + 52010295	RRU 4400 Reader Unit
	52010288 + 52010296	RRU 4500 Reader Unit
	52020289 + 52010297	RRU 4560 Reader Unit
	52020290 + 52010298	RRU 4570 Reader Unit
<b>ARU 3000 Reader Series</b>	<b>Order No.</b>	<b>Type</b>
	52010291 + 52010299	ARU 3400 Reader Unit
	52010292 + 52010300	ARU 3500 Reader Unit
	52020293 + 52010301	ARU 3560 Reader Unit
	52020294 + 52010302	ARU 3570 Reader Unit
<b>WRA 7070 Antenna Series</b>	<b>Order No.</b>	<b>Type</b>
	52010333 + 52010334	WRA 7070 Antenna
	52010335 + 52010336	WRA 7070 KRAI Antenna

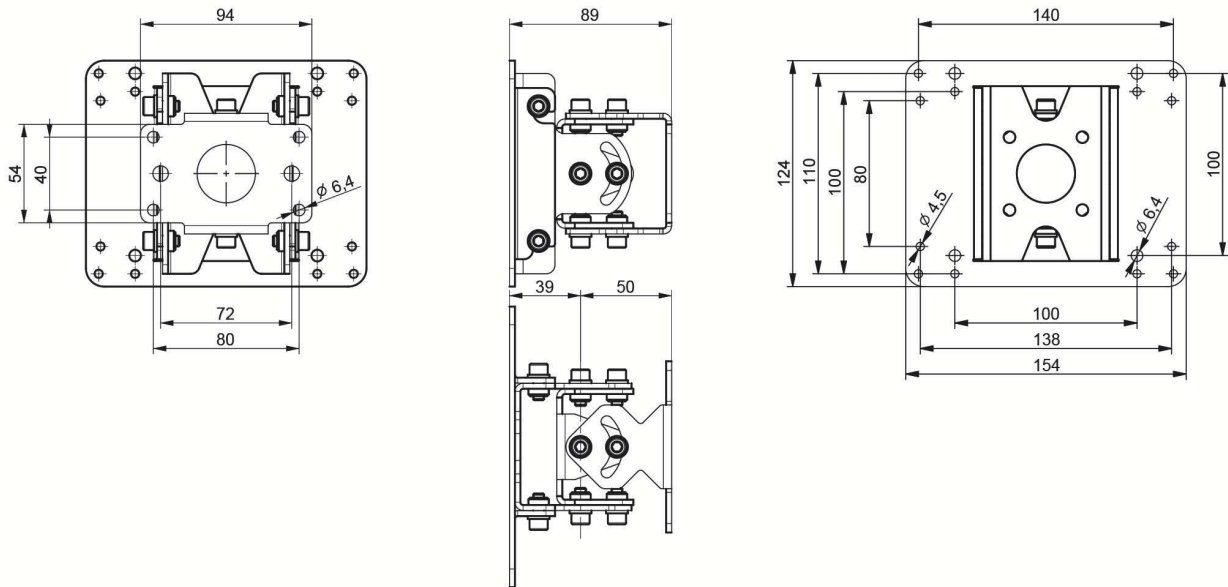
## > Accessories, optional

- Mast clamp (order no. 52010368)

## > Scope of Delivery

- 1 x wall bracket, premounted (12 screws DIN912-M6x14, wall mounting plate, universal joint, mounting plate)
- 1 x adapter plate
- 4 x M6x12 screws
- 4 x washers

## > Dimensions [mm]



## > Selecting the Installation Site



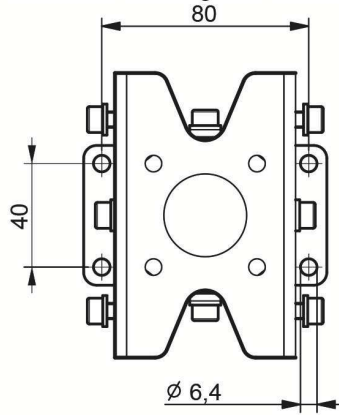
### WARNING

#### Danger to life due to electric shock!

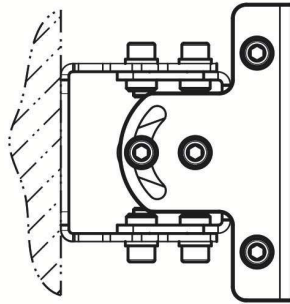
- ▶ Before drilling the holes, make sure there are no electrical cables in the wall.
- ▶ Make sure that the wall/mast have sufficient load-bearing capacity.
- ▶ Make sure to use suitable fastenings (not included in the scope of delivery).
- ▶ If necessary, reinforce the wall at the chosen installation location or use a different mast.

## ➤ Mounting the Mounting Kit

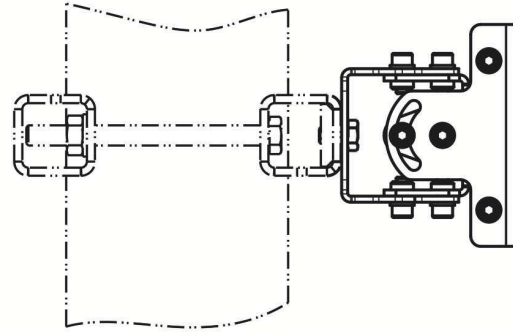
1. Install the mounting kit in the installation location.



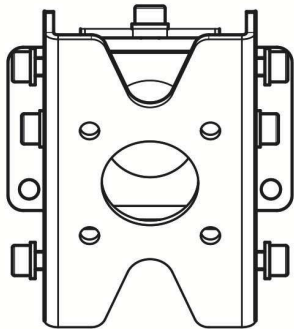
a) Wall Mounting



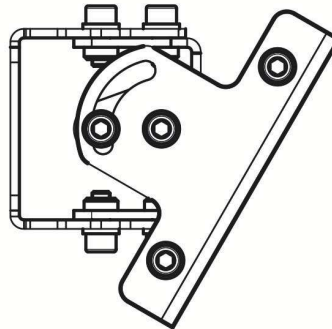
b) Pole Mounting with Optional Mast Clamp (Order No. 52010368)



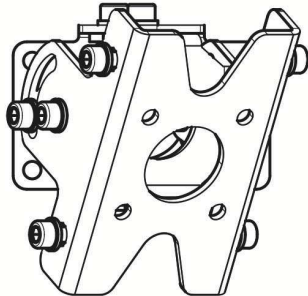
2. Set the inclination angle.



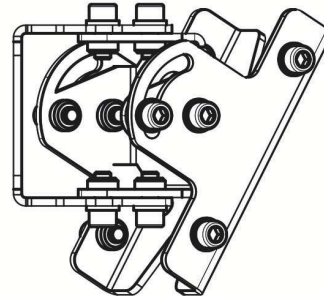
3. Lock the inclination angle by fastening the fixing screw.



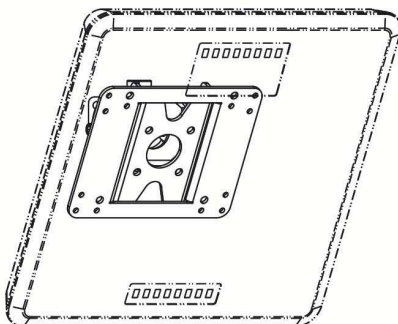
4. Set the swivel angle.



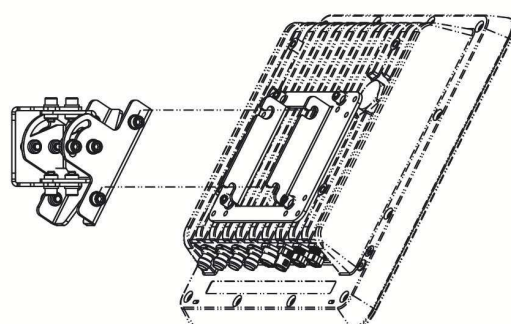
5. Lock the swivel angle by fastening the fixing screw.



6. Screw the devices and adapter plate together using the 4 screws and washers (included in the scope of delivery). The tightening torque is 5 N<sub>m</sub>.

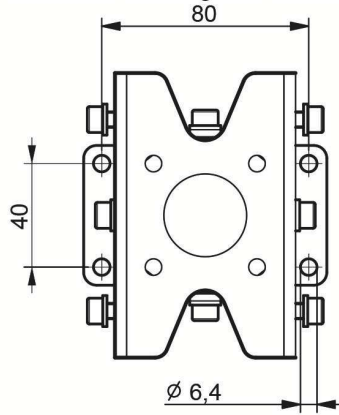


7. Insert the devices into the mounting kit and lock it.

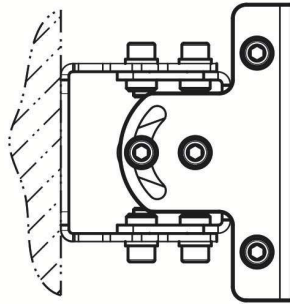


## ➤ Mounting the Mounting Kit

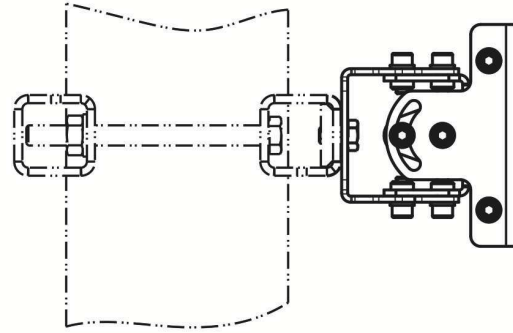
1. Install the mounting kit in the installation location.



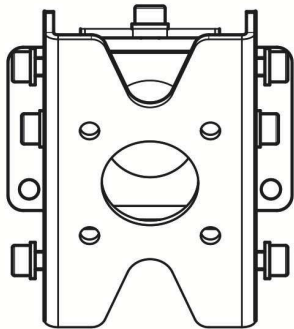
a) Wall Mounting



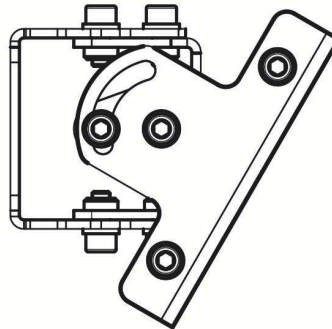
b) Pole Mounting with Optional Mast Clamp (Order No. 52010368)



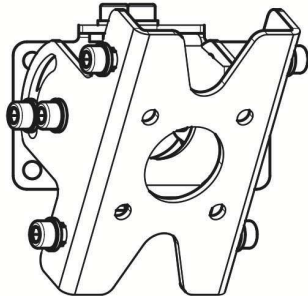
2. Set the inclination angle.



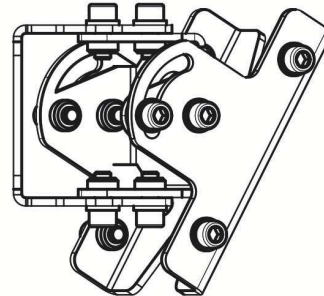
3. Lock the inclination angle by fastening the fixing screw.



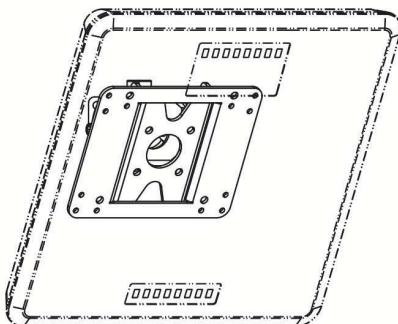
4. Set the swivel angle.



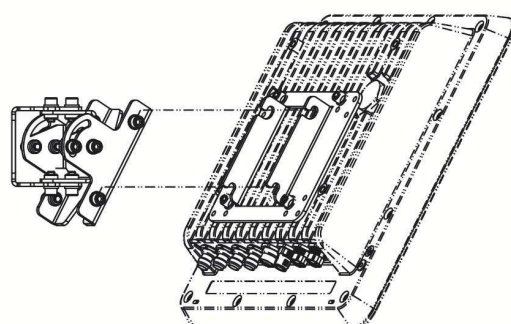
5. Lock the swivel angle by fastening the fixing screw.



6. Screw the devices and adapter plate together using the 4 screws and washers (included in the scope of delivery). The tightening torque is 5 N<sub>m</sub>.



7. Insert the devices into the mounting kit and lock it.



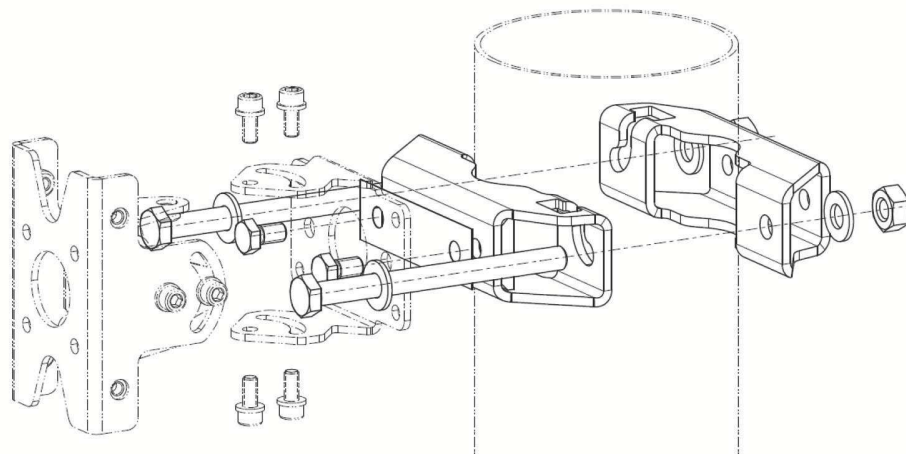
**> General Specifications**

Order no.		<b>52010368</b>
Type		MK-PMA-OGV
Weight	[kg]	1.2
Packing size	[mm]	App. 160 x 160 x 45 (packed in tubular film)
Material		Steel zinc coated
Max. load-bearing capacity	[kg]	8

**> Usable for following**

Wall mounting kit	Order No.	Type
	52010351	MK-WPM3-OSS

**> Assembly drawing [mm]**



**> Remarks**

Accessories optional