



keonn

Retail RFID
Systems

AdvanPay-10™

RFID UHF reader with
confined reading area





[Video](#)

Benefits:

- Highly controlled reading area
- Easy installation and monitoring
- The most cost-effective POS
- For retailers:
 - Queues reduction, thanks to a much faster payment process
 - Improved customer shopping experience, derived from a shorter payment time
 - Reduction in employee costs
 - Simultaneous item detection and EAS flag activation/deactivation

Applications:

- Points of sales
- Registering at events
- Document and product tracking
- RFID writing
- Verification of tagged items

Product overview

AdvanPay-10 is an RFID high performance reader that integrates an antenna with a highly confined reading area.

This RFID point of sale reader provides a solution with the minimum cost. AdvanPay-10 is the most cost-effective model of the AdvanPay family.

AdvanPay-10 requires an external point of sale computer for receiving and sending data. It does not include an on-board computer as AdvanPay-120 and AdvanPay-170.

AdvanPay-10 is available in two different models:

- Flush mount
- Desktop mount



Main characteristics

AdvanPay-10 has a **highly confined reading area**, even with far field RFID tags. It only reads the tags that are placed slightly above its surface, which avoids reading unwanted RFID tags.

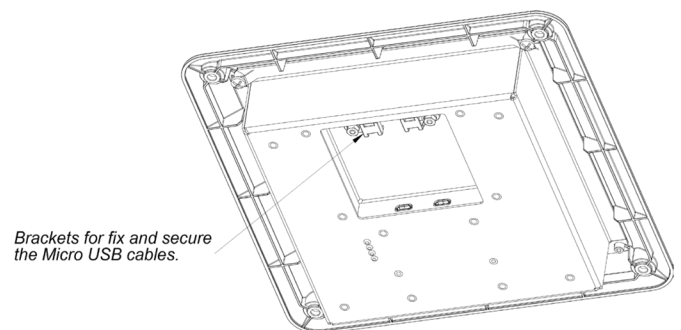
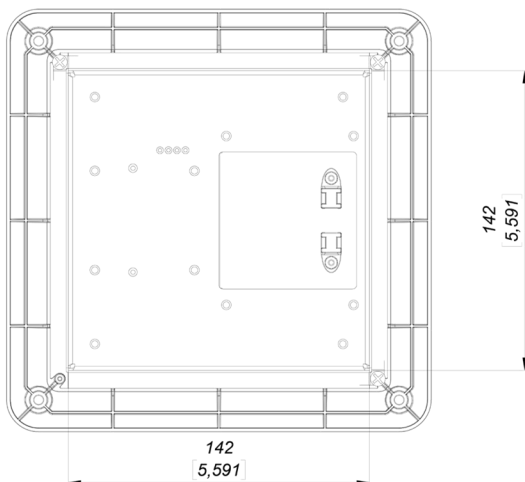
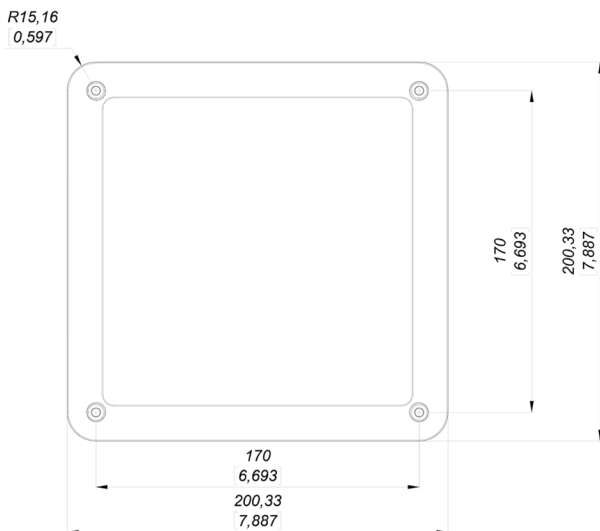
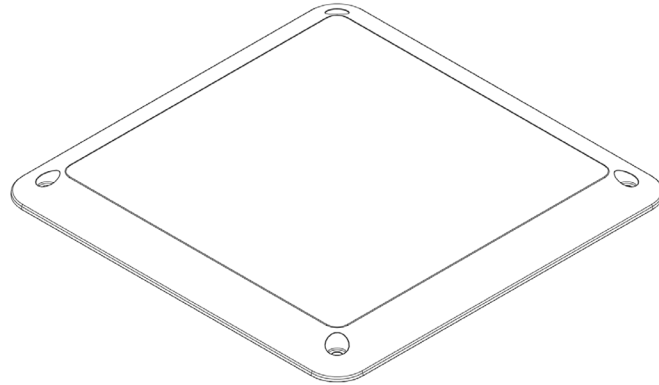
AdvanPay-10 can be used together with AdvanSafe, AdvanMat or AdvanGate to provide a **complete loss prevention system** fully based on RFID UHF.

Radiofrequency specifications



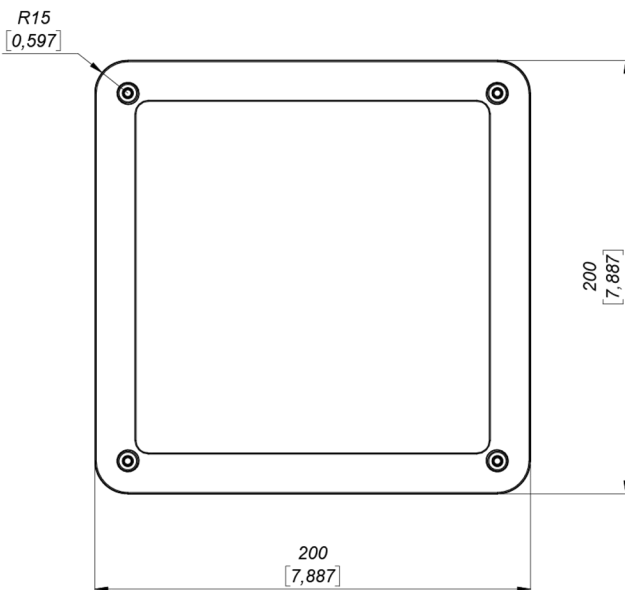
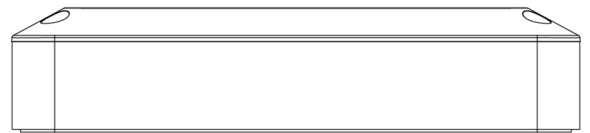
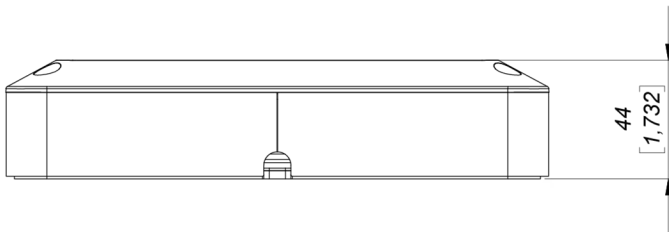
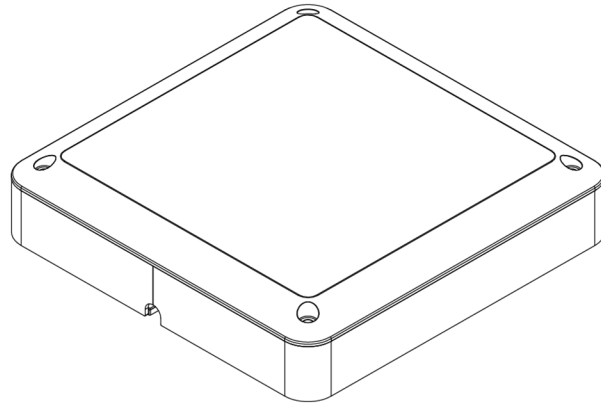
Air Protocol Interface	EPCglobal UHF Class 1 Gen 2 / ISO 18000-6C
Frequency	<p>FCC M1 versions FCC (NA2) (917.4 – 927.2) MHz FCC (NA3) (917.5 – 922.5) MHz M2 versions FCC (NA) (902 – 928) MHz FCC (NA2) (917.4 – 927.2) MHz FCC (NA3) (917.5 – 922.5) MHz FCC (NA4) (902 – 921) MHz</p> <p>ETSI (EU) (865.6 – 867.6) MHz ETSI Upper(EU) (916.3 – 918.7) MHz TRAI (India) (865 – 867) MHz KCC (Korea) (917 – 923.5) MHz MIC (Japan) (916.9 – 923.4) MHz ACMA (AU) (920 – 926) MHz NZ (New Zealand) (922 – 927) MHz SRRC-MII (P.R.China) (920.125 – 924.875) MHz MY (Malaysia) (919.0 – 923.0) MHz ID (Indonesia) (923.0 – 925.0) MHz PH (Philippines) (918.0 – 920.0) MHz TW (Taiwan) (922.0 – 928.0) MHz MO (Macao) (920.0 – 925.0) MHz RU (Russia) (866.0 – 868.0) MHz SG (Singapore) (920.0 – 925.0) MHz VN (Vietnam) (866.0 – 869.0) MHz TH (Thailand) (920.0 – 925.0) MHz AR (Argentina) (915.0 – 928.0) MHz HK (Hong Kong) (865.0 – 868.0) MHz BD (Bangladesh) (925.0 – 927.0) MHz</p> <p>Open Region M1 versions (859 – 873) MHz and (915 – 930) MHz M2 versions (840 – 869) MHz and (902 – 928) MHz</p>
RF Power	Programmable from 0 dBm to +27 dBm in 0.5 dBm steps
RF Antenna	Integrated circular polarized antenna. RF field is confined to avoid reading unwanted tags.
Data communications	Serial over USB USB power connector (micro-B) Communications uses RS232 over USB (FTDI chip)
Power supply	<p>USB power connector (micro-B) The USB data connector is also used as the power supply source.</p> <p>Avoid USB cables with high losses: •Very long cables •Cables with high AWG values</p> <p><i>Make sure the USB host port offers enough current to operate ADRD-10 at the desired power level. The USB 2.0 specification defines 500 mA as the current offered by USB host ports, this is not enough to operate the reader at its maximum 27 / 30 dBm power level. Most modern HW offers enough power to operate the reader at maximum power.</i></p>
Power consumption	Idle consumption < 1 W Max RF consumption (@27 dBm) < 4.5 W
Temperature range	-20 °C to +50 °C
Dimensions (flush mount)	200 x 200 x 36,80 mm (7.89 x 7.89 x 1.45 inches)
Dimensions (desktop mount)	200 x 200 x 44 mm (7.89 x 7.89 x 1.73 inches)
Weight (flush mount)	475 g (1.047 lb)
Weight (desktop mount)	780 g (1.720 lb)

Mechanical specifications: Flush mount



Units in millimeters and [inches]

Mechanical specifications:
Desktop mount



Units in millimeters and [inches]

Product codes for ordering

ADPY	-	C	M	-	FF	-	mmm	
								C = confined
		C						Confined reading area
								M = mount
			F					Flush mount
			D					Desktop mount
								FF = frequency band
					EU			865,6 MHz - 867,6 MHz
					US			902,0 MHz - 928,0 Mhz
								Model
							10	Model number

Examples:

ADPY-CF-EU-10:

- AdvanPay
- **C**onfined
- **F**lush mount
- Frequency band: 865,6 MHz - 867,6 MHz
- Model 10



Copyright © Keonn Technologies S.L.
All rights reserved.

Information in this publication
supersedes all earlier versions.
Specifications subject to change
without notice.

