



keonn

Retail RFID
Systems

AdvanPay-170™

RFID reader for points of sale
with hard tag detacher





Video

Benefits:

- Increases the speed of payment at cash registers
- Combines 2 processes (hard tag detachment and product identification)
- Automatic integration with most software applications, through keyboard wedge
- Highly confined reading area
- Easy installation and monitoring
- For retailers:
- Queues reduction, thanks to a much faster payment process
- Improved customer shopping experience, derived from a shorter payment time

Applications:

- Points of sale
- Registering at events
- Document and product tracking
- RFID programming
- Verification of tagged items

Product overview

AdvanPay-170 is a **high power RFID reader for points of sale** with **hard tag detacher** that **increases the speed of payment** at cash registers.

AdvanPay-170 **merges 2 processes**:

1. Hard tag detachment
2. Product identification

AdvanPay-170 integrates:

- An antenna with a highly confined reading area
- A hard tag detacher
- Keyboard wedge by hardware. It is not necessary to install any software at the POS.
- Functionalities specifically designed to address the needs of staff at retail stores, libraries or other spaces

AdvanPay-170 has **3 operation modes**, that can be easily selected at any time:

- Payment mode (green light)
- Return mode (red light)
- Read-only mode (blue light)

The **process** is as follows:

1. The user places an item with a hard RFID tag over AdvanPay-170
2. AdvanPay-170 reads the code of the RFID tag, converts it to GTIN14, GTIN13 or GTIN12 and uses keyboard wedge to automatically introduce the code in the till software
3. AdvanPay-170 writes on the RFID tag to avoid considering the tag as part of the inventory
4. The user removes the hard tag with the detacher magnet, and leaves the detached hard tag in a drawer

Product features

AdvanPay-170 has a **highly confined reading area**, even with far field RFID tags. It only reads the tags that are placed slightly above its surface, which avoids reading unwanted RFID tags.

AdvanPay-170 includes **hardware keyboard wedge** (micro USB Type-B connector) that allows a very easy and fast integration with point of sale applications, without having to modify such software applications.

The keyboard wedge is easily configured to send the keyboard codes required by each software application.

AdvanPay-170™

RFID reader for points of sale

Product features (cont.)

AdvanPay-170 is **stand alone**. It just needs to be powered with the supplied PoE injector and connected to a computer through the supplied **USB** cable.

AdvanPay-170 can be optionally connected to an Ethernet network switch. This gives AdvanPay the advantages of an **Ethernet-enabled device**: remote control, centralized management, etc.

Thanks to its size and its support piece, AdvanPay-170 is the perfect choice for various applications such as point-of-sales, document tracking and RFID programming stations.

In retail stores, AdvanPay-170 reads the GTIN14, GTIN13 and GTIN12 codes of the products being purchased while simultaneously **deactivating the EAS flag** of such products, for loss prevention.

AdvanPay-170 can be used together with AdvanSafe or AdvanMat to provide a **complete loss prevention system** fully based on RFID UHF.

AdvanPay is available in white or black colour, depending on customer's needs.

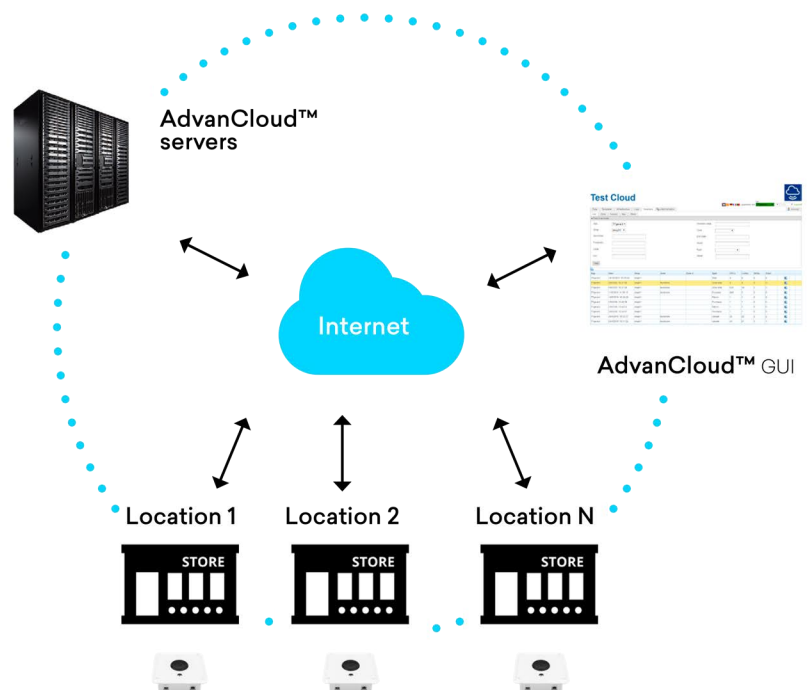


Connection to AdvanCloud

AdvanPay can be optionally connected to AdvanCloud cloud-based software platform.

The EPC codes of read RFID are reported to AdvanCloud. This information can then be analyzed for **business intelligence** purposes:

- Products sold
- Products returned
- Cross-selling
- ...

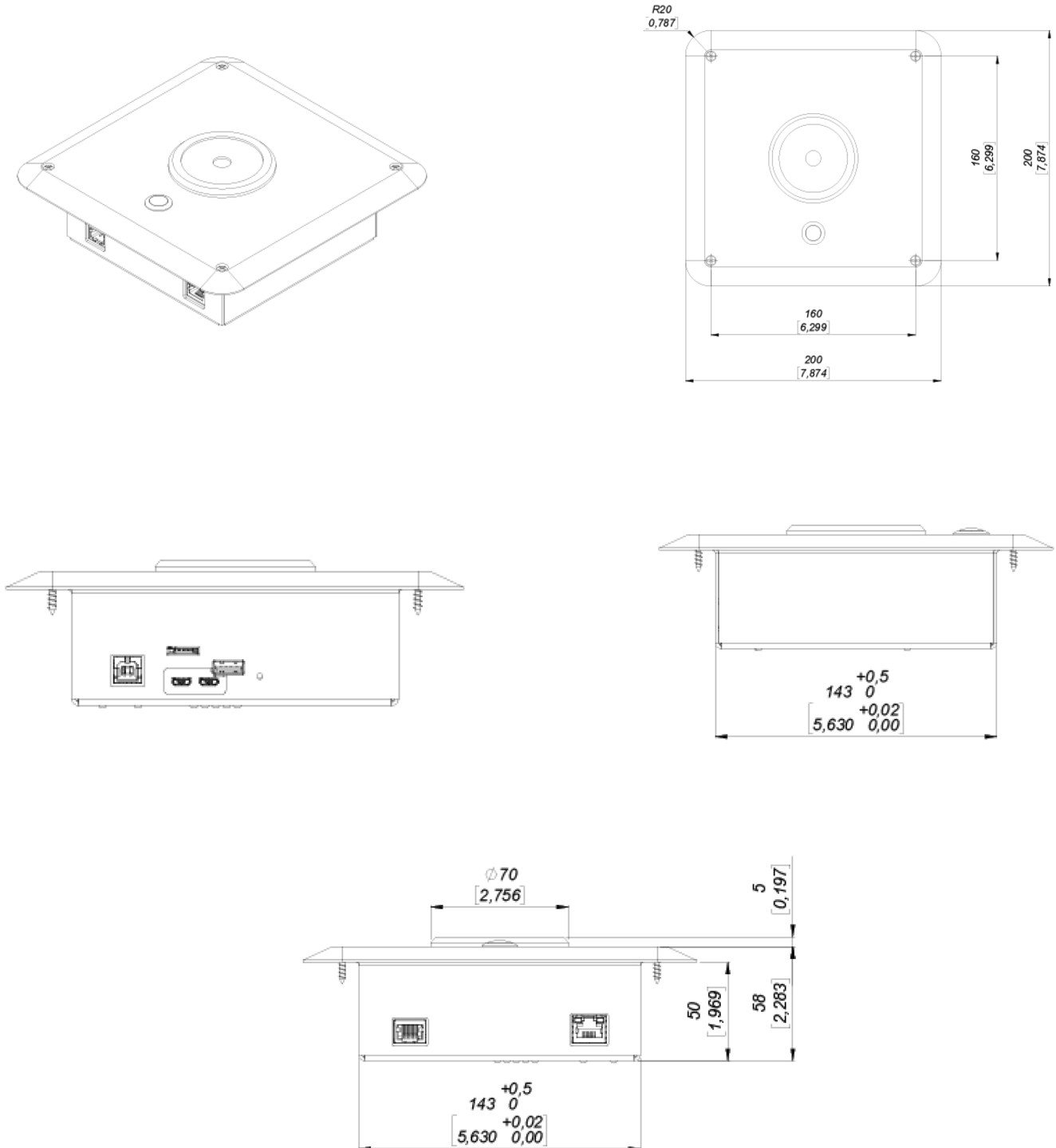


Radiofrequency specifications



Air Protocol Interface	EPCglobal UHF Class 1 Gen 2 / ISO 18000 - 6 C
Frequency	FCC (NA, SA) (917.4 to 927.2) MHz ETSI (EU) (865.6 to 867.6) MHz TRAI(India) (865 to 867) MHz KCC (Korea) (917 to 923.5) MHz MIC (Japan) (916.9 to 923.4) MHz ACMA (AU) (920 to 926) MHz NZ (New Zealand) (922 to 927) MHz SRRC-MII (P.R.China) (920.125 to 924.875) MHz Brazil (917.4 to 927.2) MHz by using channel selection Chile(917.4 to 927.2) MHz by using channel selection Peru (917.4 to 927.2) MHz by using channel selection Taiwan (922.600 to 927.2) MHz by using channel selection Open Region (859 to 873) MHz and (915 to 930) MHz (by using channel selection)
RF Power	Programmable from 0 dBm to +27 dBm in 0.5 dBm steps
Antenna	Integrated Circular Polarized near-field antenna RF fields is confined to avoid reading unwanted tags
Max tag read distance	< 30 cm
Magnet strength	11 000 gauss
Data communications	Ethernet: IEEE 802.3 up to 100 Mbps USB HID to emulate barcode reader
Power supply	Power Over Ethernet (PoE): <ul style="list-style-type: none"> Supports IEEE 802.3af (Type I) and IEEE 802.3at (Type II) Power consumption: Class 3 On-board battery for RTC chip
On-board actuators	Buzzer
LED indicators	Three LED for indicating the active operation mode: Payment mode (green) Return mode (red) Read-only mode (blue) When the LED is flashing means that the reader is reading
Output	2 Watt output for 8 ohm loudspeaker
Compatibility with software applications	Can be easily integrated with any application software, through keyboard wedge
Power consumption	Idle consumption < 2.5 W Default consumption (@10 dBm) < 4 W Max consumption (@27 dBm) < 7 W
Temperature range	-20 °C to +50 °C
Dimensions (flush mount)	200 x 200 x 63 (7.87 x 7.87 x 2.48 inches)
Dimensions (desktop mount)	200 x 200 x 78 (7.87 x 7.87 x 3.07 inches)
Weight (flush mount)	1.2 kg (2.31 lb)
Weight (desktop mount)	1.6kg (3.45lb)

Mechanical specifications (in mm)



Units in millimeters and [inches]

Product codes for ordering

ADPY	-	C	M	-	FF	-	mmm	
								C = confined
		C						Confined reading area
								M = mount
			F					Table flush mount
								FF = frequency band
					EU			865,6 MHz - 867,6 MHz
					US			902,0 MHz - 928,0 Mhz
								Model
							170	model number

Examples:

ADPY-CF-EU-170:

- AdvanPay
- **C**onfined
- Table **F**lush mount
- Frequency band: 865,6 MHz - 867,6 MHz
- Model 170



Copyright © Keonn Technologies S.L.
All rights reserved.

Information in this publication
supersedes all earlier versions.
Specifications subject to change
without notice.

