

PRE Ø56mm LED Steady & Flashing with Buzzer

TOWER LIGHTS



- Long life and reliability
- Prism-cut lenses for even light distribution
- Surface, Pole or Wall Mounted (Order poles & bases separately)
- Wire leads
- Add-on Buzzer (80 dB) kit available



Order Information

PRE	F	-	5	01	-	RYGBC
	①		②	③		④
① Light Style						Steady
		F				Steady & Flashing
② Number of Stacks						
		1				1 Light
		2				2 Lights
		3				3 Lights
		4				4 Lights
		5				5 Lights
③ Power Supply						
		01				DC/AC 12V
		02				DC/AC 24V
		10				AC 110V
		20				AC 220V
④ Lens Colors (top to bottom)						
		R				Red
		Y				Yellow
		G				Green
		B				Blue
		C				Clear

*Note: Max. number of tier including Buzzer is 5.

Optional Orders

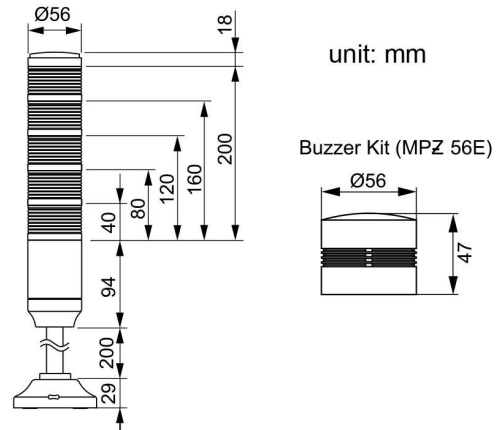
PART	PART NUMBER	DESCRIPTION
Buzzer	MPZ-56E	Ø56mm, 80dB (30mA), 24~240V DC/AC *Buzzer is not available for 12V DC/AC.

Replacement Parts

PART	PART NUMBER	DESCRIPTION
LED	PRELED-5(□)	24~240V AC/DC
	PRELED-5(□)-12	12V AC/DC
Lens	PEL-5(□)	—

(□): indicates color of LED or Lens; R, Y, G, B or C

Dimensions



Specifications

Power Supply		12V AC/DC	24V AC/DC	120/240V AC
Current Draw	1 Stack	54 mA	28 mA	25 mA
	2 Stack	109 mA	62 mA	57 mA
	3 Stack	169 mA	102 mA	91 mA
	4 Stack	223 mA	136 mA	124 mA
	5 Stack	275 mA	169 mA	155 mA
	Buzzer	—	30 mA	
Sound Level		—	80 dB	
Flashing rate		80 times/minute		
Rating		IP 56		

See Page 13-14 for Mounting Options and Accessories.

PME Ø45mm LED Steady & Flashing

TOWER LIGHTS

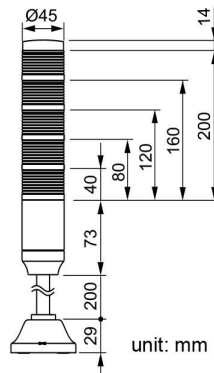


- Long life and reliability
- Prism-cut lenses for even light distribution
- Surface, Pole or Wall Mounted (Order poles & bases separately)
- Wire leads



Specifications

Power Supply	12V AC/DC	24V AC/DC	100-220V AC	
Current Draw	1 Stack	41 mA	27 mA	28 mA
	2 Stack	89 mA	57 mA	60 mA
	3 Stack	149 mA	95 mA	99 mA
	4 Stack	204 mA	125 mA	131 mA
	5 Stack	240 mA	155 mA	163 mA
Flashing rate	80 times/minute			
Rating	IP 56			



Order Information

PME	F	5	01	RYGBC
①	②	③	④	
Light Style				Steady
	F			Steady & Flashing
Number of Stacks	1			1 Light
	2			2 Lights
	3			3 Lights
	4			4 Lights
	5			5 Lights
Power Supply	01			DC/AC 12V
	02			DC/AC 24V
	FF			AC 90~240V
Lens Colors (top to bottom)	R			Red
	Y			Yellow
	G			Green
	B			Blue
	C			Clear

Replacement Parts

LED	PMELED-4(□)	24~240V AC/DC
	PMELED-4(□)-12	12V AC/DC
Lens	PML-4(□)	—

(□): indicates color of LED or Lens; R, Y, G, B or C

See Page 13-14 for Mounting Options and Accessories.

PLD Ø25mm LED Steady & Flashing

TOWER LIGHTS



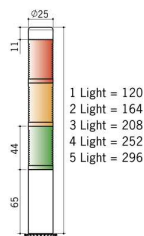
- Well suited for small device applications
- Long LED life and reliable operation
- Prism-cut lenses for even light distribution
- Strong aluminum body
- Direct mounting pole installed
- Lead wire connection



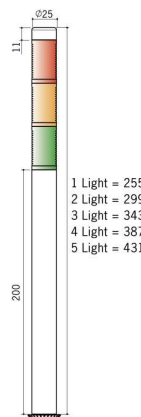
Specifications

Power Supply	12V AC/DC	24V AC/DC	
Current Draw	1 Stack	30 mA	25 mA
	2 Stack	65 mA	60 mA
	3 Stack	100 mA	90 mA
	4 Stack	135 mA	120 mA
	5 Stack	170 mA	150 mA
Flashing rate	80 times/minute		
Rating	IP 56		

PLDS-□□□□□□□□
PLDSF-□□□□□□□□



PLDL-□□□□□□□□
PLDLF-□□□□□□□□

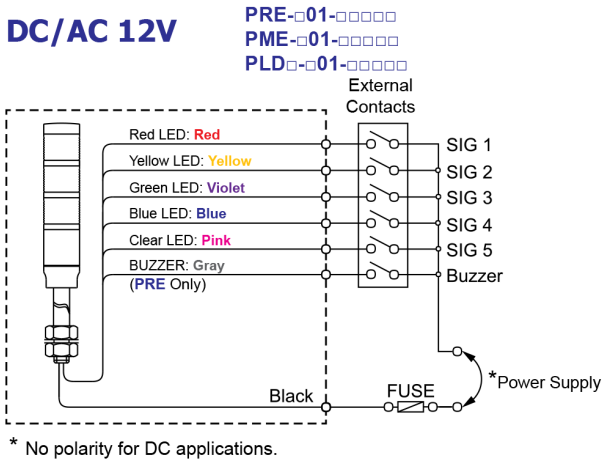


Order Information

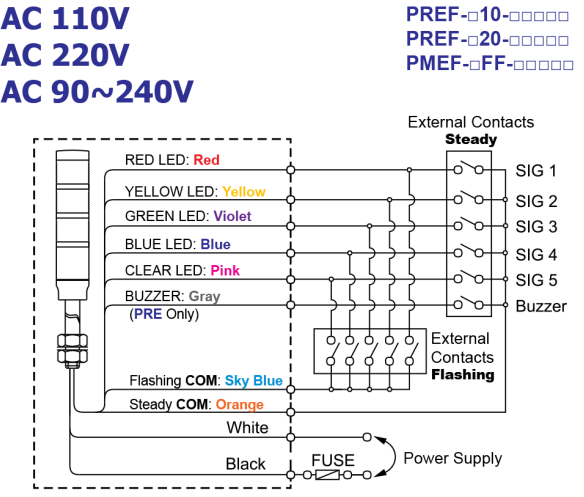
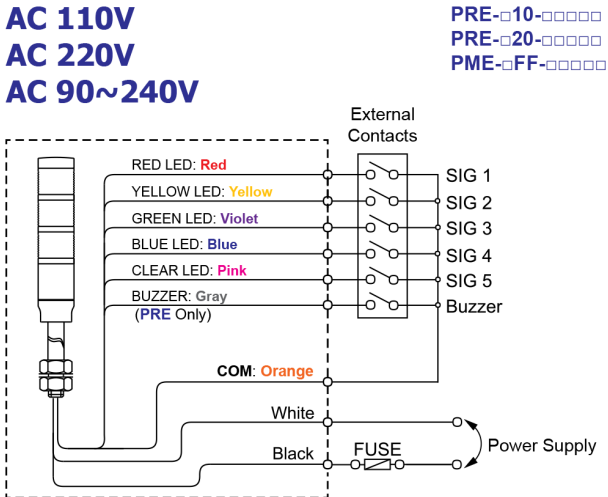
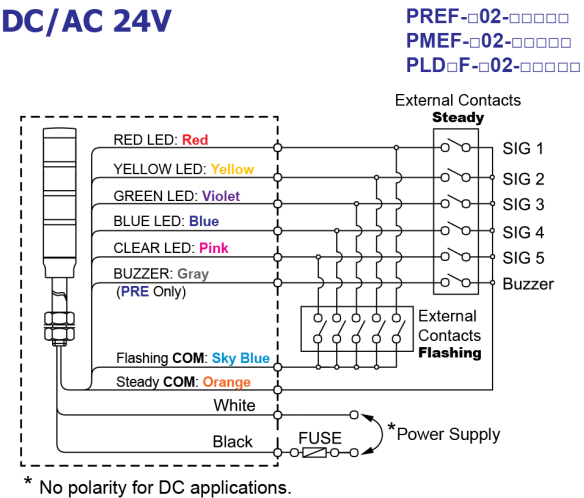
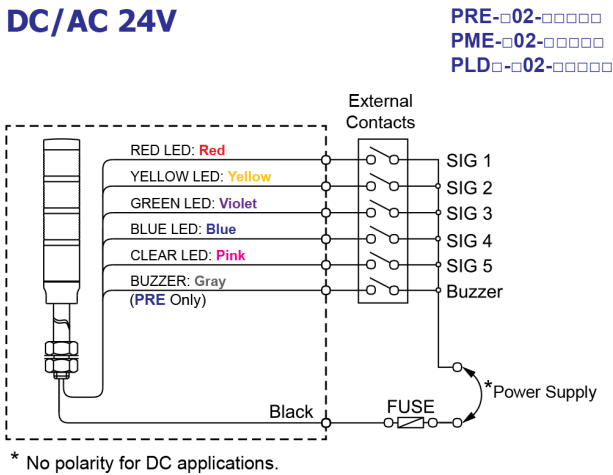
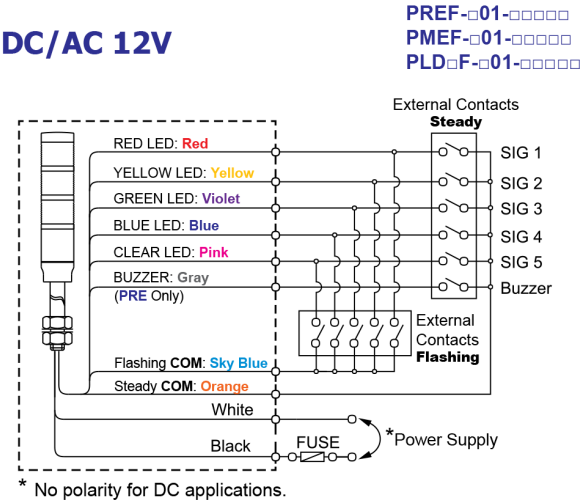
PLD	S	F	5	01	RYGBC
①	②	③	④	⑤	
Pole Length	S				65mm pole
	L				200mm pole
Light Style					Steady
	F				Steady & Flashing
Number of Stacks	1				1 Light
	2				2 Lights
	3				3 Lights
	4				4 Lights
	5				5 Lights
Power Supply	01				DC/AC 12V
	02				DC/AC 24V
Lens Colors (top to bottom)	R				Red
	Y				Yellow
	G				Green
	B				Blue
	C				Clear

PRE / PME / PLD Wiring Diagram

Steady Lights

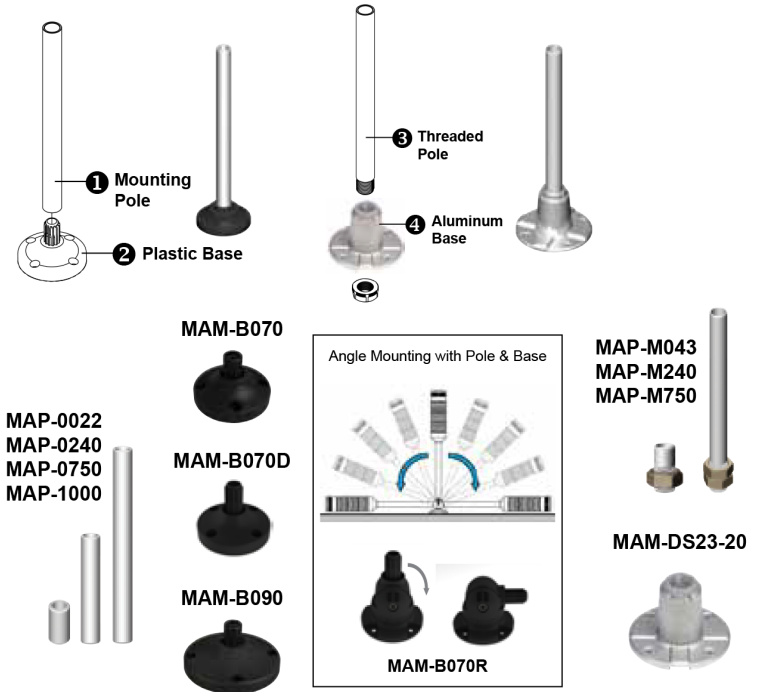


Steady & Flashing Lights



Pole Mounting with Base

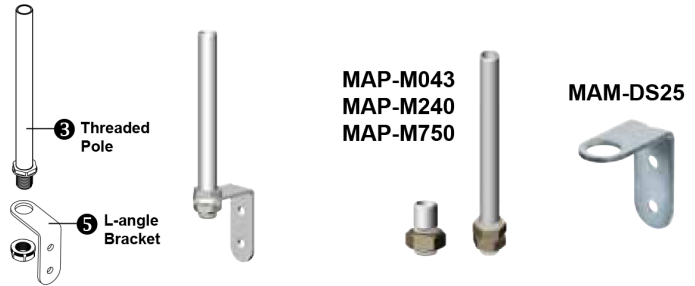
Part	Part #	Description
1	*MAP-0022	Ø20mm, 0.87 in (22 mm) pole
	MAP-0240	Ø20mm, 9.45 in (240 mm) pole
	MAP-0750	Ø20mm, 29.53 in (750 mm) pole
	MAP-1000	Ø20mm, 39.37 in (1000 mm) pole
2	MAM-B070	Ø70mm Plastic Base
	MAM-B070D	Ø70mm Plastic Base with Water-Proof Rubber Gasket
	MAM-B070R	Ø70mm Plastic Base with 180° rotating pole holder
	MAM-B090	Ø90mm Plastic Base
3	MAP-M043	Ø20mm, 1.69 in (43 mm) threaded pole with 1 nut
	MAP-M240	Ø20mm, 9.45 in (240 mm) threaded pole with 2 nuts
	MAP-M750	Ø20mm, 29.53 in (750 mm) threaded pole with 1 nut
4	MAM-DS23-20	Aluminum Base



* MAM-0022 CANNOT be used with PTE & PTM Series.

L-angle Mounting with Bracket

Part	Part #	Description
3	MAP-M043	Ø20mm, 1.69 in (43 mm) threaded pole with 1 nut
	MAP-M240	Ø20mm, 9.45 in (240 mm) threaded pole with 2 nuts
	MAP-M750	Ø20mm, 29.53 in (750 mm) threaded pole with 1 nut
5	MAM-DS25	L-angle Bracket



Wall Mounting with Bracket

Part	Part #	Description
1	*MAP-0022	Ø20mm, 0.87 in (22 mm) pole
	MAP-0240	Ø20mm, 9.45 in (240 mm) pole
	MAP-0750	Ø20mm, 29.53 in (750 mm) pole
	MAP-1000	Ø20mm, 39.37 in (1000 mm) pole
2	MAM-B070	Ø70mm Plastic Base
	MAM-B070D	Ø70mm Plastic Base with Water-Proof Rubber Gasket
6	MAP-DS30-BLK	Plastic Wall Mounting Bracket, Black (Pole & Base required)
	MAP-DS30-BGE	Plastic Wall Mounting Bracket, Beige (Pole & Base required)
	MAP-DS40-BLK	Plastic Wall Mounting Bracket, Black (Pole required)
	MAP-DS40-BGE	Plastic Wall Mounting Bracket, Beige (Pole required)
	MAM-DS28	Metal Wall Mounting Bracket (Pole & Base required)



NPT Mounting with NPT Adaptor

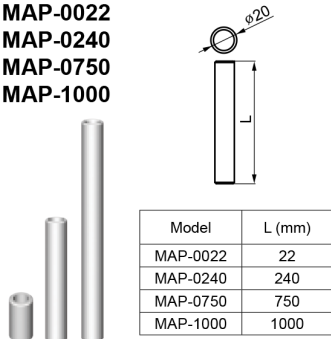


* MAM-0022 CANNOT be used with PTE & PTM Series.

Accessories

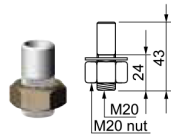
Mounting Poles

MAP-0022
MAP-0240
MAP-0750
MAP-1000

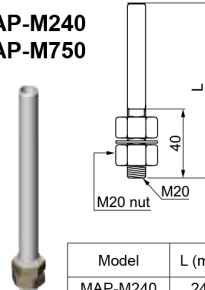


Threaded Poles

MAP-M043



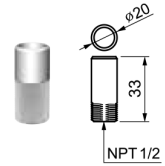
MAP-M240
MAP-M750



Model	L (mm)
MAP-M240	240
MAP-M750	750

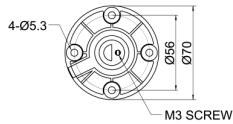
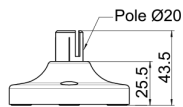
NPT Adaptor

MAP-N033

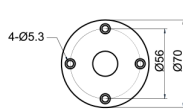
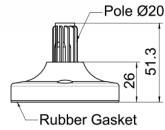


Mounting Bases

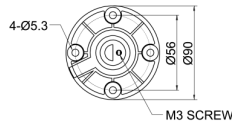
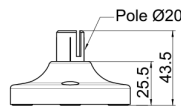
MAM-B070



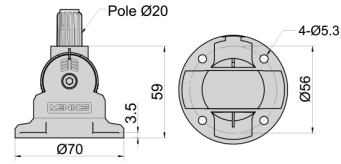
MAM-B070D



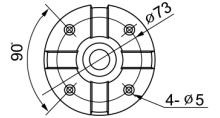
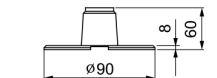
MAM-B090



MAM-B070R

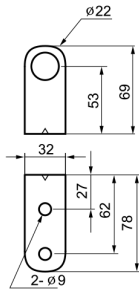


MAM-DS23-20

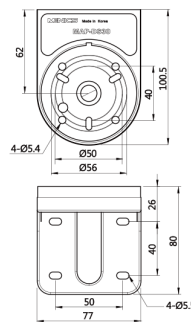


Wall Mount Brackets

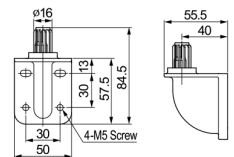
MAM-DS25



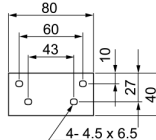
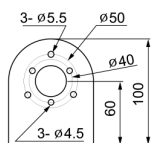
MAP-DS30



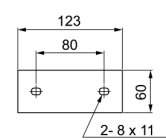
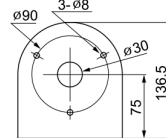
MAP-DS40



MAM-DS26



MAM-DS27



MAM-DS28

