

## Omni-ID® Flex 800

Omni-ID Flex 800 is a long read range, Global frequency, RFID tag designed with exceptional performance. The Flex 800 tag is well suited to indoor applications where a low cost option is needed anywhere around the world.

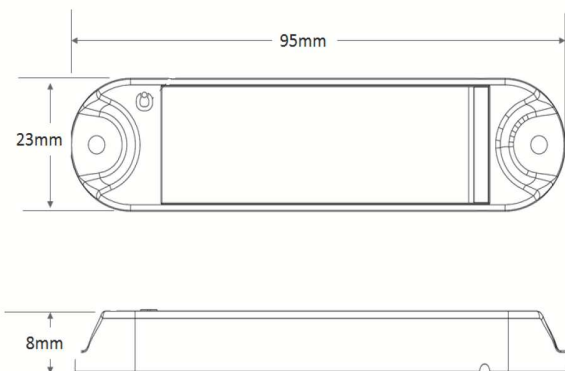
### Applications

With its longer read range and consistent Global RF performance, the Flex 800 is ideally suited to applications such as:

- ▶ Manufacturing tote tracking
- ▶ Light outdoor use & RTI
- ▶ Retail supply chain

### Physical Specifications

Material	ABS with white synthetic label
Size (mm)	95 x 23 x 8.0
Size (in)	3.74 x .91 x .31
Weight (g)	13



Dimensions stated in mm

### RF Specifications

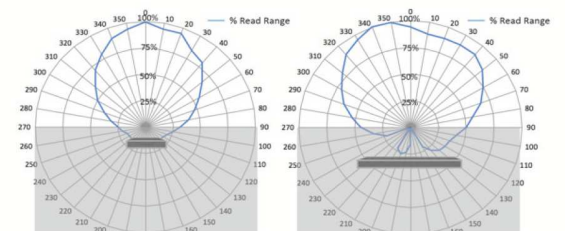
Protocol	EPC Class 1 Gen2V2
Frequency Range (MHz)	860 - 940 (GS)
Read Range (Fixed reader) <sup>1</sup>	
On metal	Up to 8.0m
Off metal	Up to 6.0m
Read Range (Handheld reader) <sup>1</sup>	
On metal	Up to 4.0m
Off metal	Up to 3.0m
Material Compatibility	Optimized for Metal
IC Type (chip)	Impinj Monza 4QT
Memory <sup>2</sup>	EPC - 128bits User - 512bits UTID - 48bits

1. Quoted performance achieved using standard testing methodology. Read range will vary with reader hardware and output power.

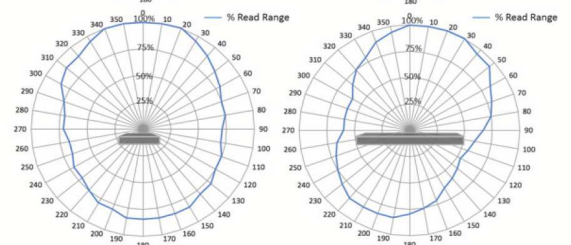
2. EPC and User memory are reprogrammable, UTID is locked at point of manufacture.

### Radiation Patterns

On Metal



Off Metal



## Related Products and Services

- ▶ **Omni-ID Flex 400** - Small form factor, global RFID tag ideal for IT asset management applications.
- ▶ **Omni-ID Flex 600**- Flexible, cost effective tag, ideal for office equipment and portal setups.
- ▶ **Omni-ID Flex 1200** - Flexible, cost effective tag, designed specifically for applications needing read ranges of up to 12 meters.
- ▶ **Service Bureau** - Omni-ID offers a full service bureau for printing and pre-encoding Omni-ID tags at point of manufacture.



## Environmental Specifications

Storage Temperature	-40 ° to +85 °C
Operation Temperature	-40 ° to +85 °C
Survivability	-40 ° to +85 °C
IP Rating	IP65
Shock and Vibration	MIL STD 810-G
Attachment	Mechanical (standard) Premium foam (option)
Certifications	RoHS approved CE approved ATEX/IECEx certified (option) US&Canada (C1D1/D2) certified (option)
Warranty	1 year

1. Excludes adhesive options, consult adhesive data sheets for recommended temperature ratings.

## Ordering Information

Order code	150 - GS
Order options	:303 (Customization) :304 (ATEX/IECEx certified) :307 (US&Canada (C1D1/D2) certified) :701 (Standard Service Bureau)