

Omni-ID® IQ 800P HT

Omni-ID IQ 800P HT is a high temperature, synthetic RFID hang tag ideally suited for single use applications and capable of surviving temperatures up to 230°C. Designed with global frequency, the IQ 800P HT optimizes performance in applications where the inlay of the tag hangs away from the metallic asset.

Applications

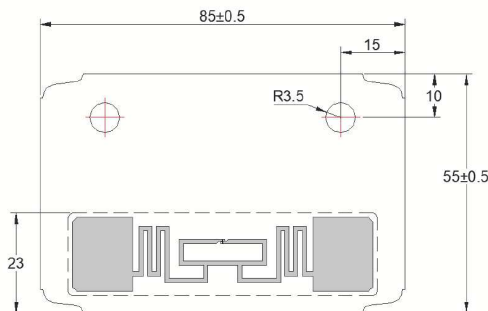
With its high temperature capability, premium materials, and global frequency, the Omni-ID IQ 800P labels are ideally suited to:

- ▶ Manufacturing
- ▶ Automotive paint processes
- ▶ Electronics

Physical Specifications

Material	High Temperature Synthetic label
Size (mm) (tolerance)	85 x 55 x 0.49 +/-0.5
Size (in) (tolerance)	3.35 x 2.17 x 0.02 +/-0.02
Weight (g)	1.5

Dimensions



Dimensions stated in mm

Note: See diagram - the 23mm inlay area must hang away from metal. Placing inlay over metal will result in performance deterioration.

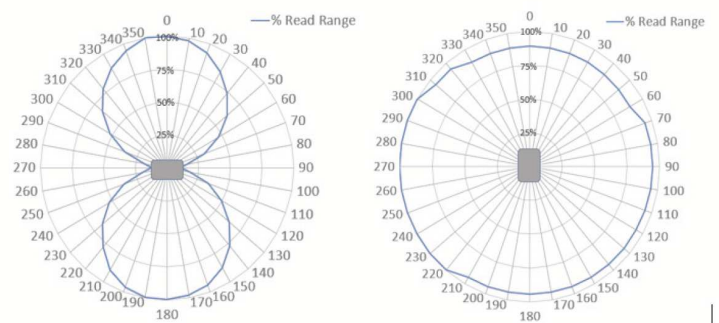
RF Specifications

Protocol	EPC Class 1 Gen2
Frequency Range (MHz)	860-960 (global)
Read Range (Fixed reader) ¹	Up to 8.0 m (26.2ft)
Read Range (Handheld reader) ¹	Up to 5.0 m (16.5ft)
Material Compatibility	Plastic and non metallic substrates.
IC Type (chip)	Alien Higgs 3
Memory ²	EPC - 96bits User - 512bits Unique TID - 64bits

1. Quoted performance achieved using standard testing methodology. Read range will vary with reader hardware and output power.
2. EPC and User memory are reprogrammable, UTID is locked at point of manufacture.

Radiation Patterns

Off Metal



Related Products and Services

- ▶ **Omni-ID IQ 800P** - Premium label ideal for plastic assets.
- ▶ **Omni-ID Exo 400**- Small high temperature RFID tag designed with rugged encapsulation for harsh environments, capable of surviving temperatures to 235°C.
- ▶ **Omni-ID IQ 150**- Smallest Ultrathin premium label for on metal functionality, optimized for thermal printers.
- ▶ **Service Bureau** - Omni-ID offers a full service bureau for printing and pre-encoding Omni-ID tags at point of manufacture.



Environmental Specifications

Operating Temperature	-40 to +85°C
Max Temperature Exposure	-40 to +230°C
IP Rating	IP68
Shock and Vibration	MIL STD 810-G
Attachment	Holes provided for mechanical attachment
Certifications	RoHS approved CE approved ATEX/IECEX certified (option) US & Canada [C1D1/D2] certified (option)
Warranty	1 year

Ordering Information

Order code	165 – GS
Order Options	:303 (Customization) :304 (ATEX/IECEX certified) :307 (US & Canada [C1D1/D2 certified]) :701 (Standard Service Bureau) ¹
Minimum Order Quantity	1 roll* (1020 pcs, includes 2% oversupply)

*Tags supplied on a liner for printing and ease of handling purposes.

