

## EOS-970 SLIX2

# TAGEOS

## Datasheet



## TAGEOS

### Sizable, Secure, and Suitable For Many Applications

The EOS-970 SLIX2 HF inlay from Tageos provides a performance edge in a variety of applications related to library and media management, as well as other applications requiring checkout and check-in of stacked items and EAS (electronic article surveillance).

The inlay's manageable dimensions, excellent performance, and applicational versatility make it suitable for media libraries and the automotive, healthcare, industrial manufacturing, and logistics industries.

EOS-970 SLIX2 uses the newest member of NXP's SLIX product family, the ICODE SLIX2 IC. The chip offers full backward compatibility to SLIX, extended user memory size (2.5 kbit), and outstanding characteristics such as NXP originality signature, overall increased performance, and flexible user

memory segmentation with separate access.

EOS-970 SLIX2 inlay is available in dry, wet, paper-face, and plastic-face formats.

Like all Tageos' RFID products, the EOS-970 SLIX2 inlay complies with ISO 9001:2015 Quality Management System and ISO 14001:2015 Environmental Management System, as well as Environmental Directives RoHS and REACH, utilizing sustainable materials such as FSC® certified paper whenever possible.

### Overview

IC:	NXP ICODE SLIX2
User Memory:	2560 bit
UID:	64 bit
Frequency Band:	13.56 MHz
Protocol:	ISO/IEC 15693 (Vicinity) / Type 5 Tag

### Application Areas

- Brand Protection
- Food & Beverage
- Library & Media Management
- Product Authentication
- Supply Chain Management



# EOS-970 SLIX2

## T A G E O S

### Technical Overview

	Dry	Wet	Paper-face	Plastic-face
Product Code	9700000001	9700000002	9700000004	9700000003
Antenna Size	45 x 76 mm 1.77 x 2.99 in	45 x 76 mm 1.77 x 2.99 in	45 x 76 mm 1.77 x 2.99 in	45 x 76 mm 1.77 x 2.99 in
Finish Size	- -	50 x 80 mm 1.97 x 3.15 in	50 x 80 mm 1.97 x 3.15 in	50 x 80 mm 1.97 x 3.15 in
Web Width	54.0 ± 1 mm 2.126± 0.04 in	54.0 ± 1 mm 2.126± 0.04 in	54.0 ± 1 mm 2.126± 0.04 in	54.0 ± 1 mm 2.126± 0.04 in
Pitch	83.82 ± 0.2 mm 3.300 ± 0.01 in	83.82 ± 1 mm 3.300 ± 0.04 in	83.82 ± 1 mm 3.300 ± 0.04 in	83.82 ± 1 mm 3.300 ± 0.04 in
Antenna Material	Aluminium	Aluminium	Aluminium	Aluminium
Front Face	-	PET Clear	Paper TT	PP White
Inlay Substrate	PET Clear	PET Clear	PET Clear	PET Clear
Inlay Adhesive	-	Permanent	Permanent	Permanent
Liner	-	Paper	Paper	Paper
Operating Temperature	-40°C / +85°C -40°F / +185°F	-40°C / +85°C -40°F / +185°F	-40°C / +85°C -40°F / +185°F	-40°C / +85°C -40°F / +185°F
Final Inspection	100% tested	100% tested	100% tested	100% tested



**Graphs:** All the graphs are indicative; performance in real life applications may vary. The data has been determined based on calculations for transmitters with a normal output power level and respective IC silicon. **Storage & handling precautions:** Observe standard storage and handling practices to minimize Electro Static Discharge. Tageos reserves the right to change its products and services at any time without notice. As our products are used in circumstances beyond our control, we cannot be held liable for any damages caused through their use. This is a general purpose product not designed or intended for any specific application.

© 2023 Tageos All rights reserved. The pictures and illustrations found on this document are for illustration purposes only, and do not necessarily represent the exact products. Tageos is a registered trademark. All other trademarks are the property of their respective owners. Reproduction in whole or in part is prohibited without the prior written consent of the copyright owner. The information presented in this document does not form part of any quotation or contract, is believed to be accurate and reliable and may be changed without notice. No liability will be accepted by the publisher for any consequence of its use.

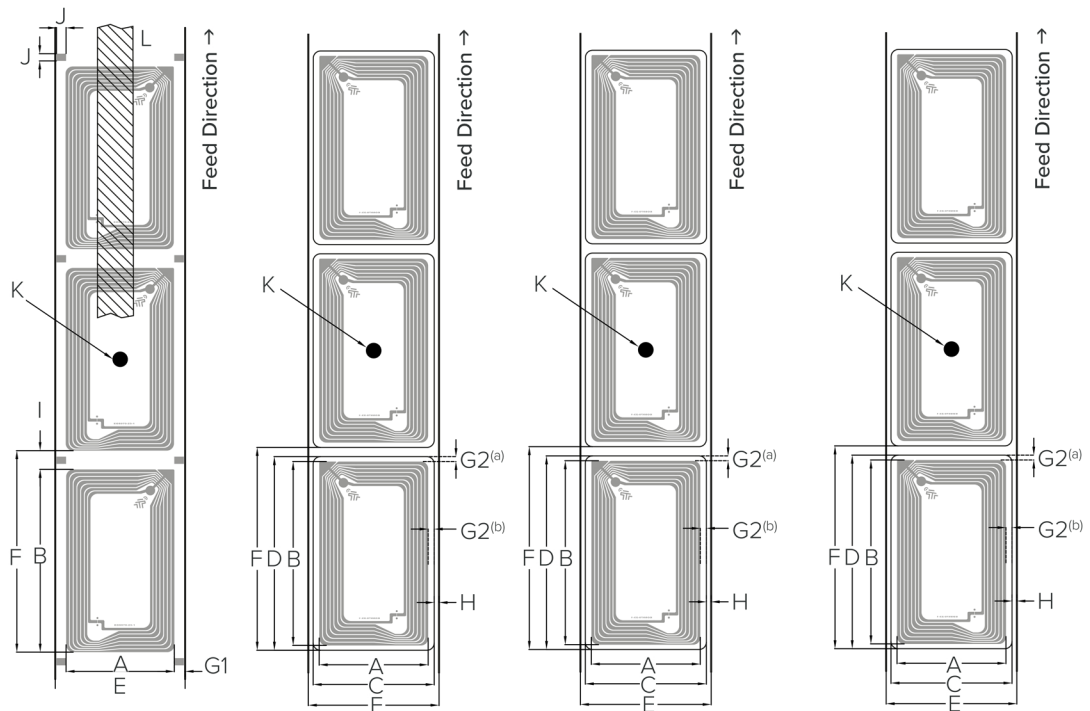


# EOS-970 SLIX2

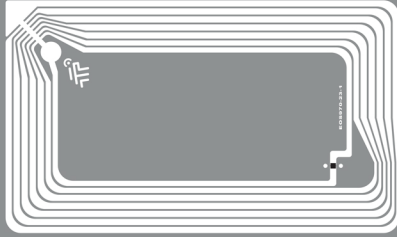
## TAGEOS

### Product Specifications

#### Mechanical Dimensions



mm / in	Dry	Wet	Paper-face	Plastic-face
Product Code	9400000001	9400000002	9400000004	9400000003
Antenna Size	A x B 45 x 76 / 1.77 x 2.99	45 x 76 / 1.77 x 2.99	45 x 76 / 1.77 x 2.99	45 x 76 / 1.77 x 2.99
Finish Size	C x D -	50 x 80 / 1.97 x 3.15	50 x 80 / 1.97 x 3.15	50 x 80 / 1.97 x 3.15
Web Width	E 54.0 ± 1 / 2.126 ± 0.04	54.0 ± 1 / 2.126 ± 0.04	54.0 ± 1 / 2.126 ± 0.04	54.0 ± 1 / 2.126 ± 0.04
Pitch	F 83.82 ± 0.2 / 3.300 ± 0.01	83.82 ± 1 / 3.300 ± 0.04	83.82 ± 1 / 3.300 ± 0.04	83.82 ± 1 / 3.300 ± 0.04
Antenna to Web Edge	G1 4.5 ± 1 / 0.177 ± 0.04	-	-	-
Antenna to Die-cut	G2 -	2.0 ± 1 / 0.079 ± 0.04 <sup>(a)</sup> 2.5 ± 1 / 0.098 ± 0.04 <sup>(b)</sup>	2.0 ± 1 / 0.079 ± 0.04 <sup>(a)</sup> 2.5 ± 1 / 0.098 ± 0.04 <sup>(b)</sup>	2.0 ± 1 / 0.079 ± 0.04 <sup>(a)</sup> 2.5 ± 1 / 0.098 ± 0.04 <sup>(b)</sup>
Die-Cut to Web Edge - H	-	2.0 ± 1 / 0.079 ± 0.04	2.0 ± 1 / 0.079 ± 0.04	2.0 ± 1 / 0.079 ± 0.04
Antenna Gap	I 7.82 / 0.308	-	-	-
Converting Spot	J 4.00 x 3.00 / 0.157 x 0.118	-	-	-
Bad Mark	K Ø 6.0 mm / 0.236 in	Ø 6.0 mm / 0.236 in	Ø 6.0 mm / 0.236 in	Ø 6.0 mm / 0.236 in
Interleave	L Yes	No	No	No
Registration Mark	M No	No	No	No



# EOS-970 SLIX2

# TAGEOS

## Packing Details

	Dry	Wet	Paper-face	Plastic-face
Product Code	9700000001	9700000002	9700000004	9700000003
Delivery Forma	Roll (single row)	Roll (single row)	Roll (single row)	Roll (single row)
Core Inner Diameter	76 mm / 2.99 in	76 mm / 2.99 in	76 mm / 2.99 in	76 mm / 2.99 in
Roll Outer Diameter	342 mm / 13.46 in	327 mm / 12.87 in	221 mm / 8.70 in	212 mm / 8.35 in
Unwinding Direction	Inlay on outside of roll	Inlay on outside of roll	Inlay on outside of roll	Inlay on outside of roll
Standard Roll Size	9 000	5 000	1 500	1 500
Min. Guar. Yield/Roll	98.5%	98.5%	98.5%	98.5%
Box Dimensions	39.5 x 39.0 x 17.0 cm / 15.56 x 15.35 x 6.69 in	39.5 x 39.0 x 17.0 cm / 15.56 x 15.35 x 6.69 in	26.0 x 26.0 x 37.0 cm / 10.24 x 10.24 x 14.57 in	26.0 x 26.0 x 37.0 cm / 10.24 x 10.24 x 14.57 in
Roll/Box	2	2	6	6
Inlay/Box	18 000	10 000	9 000	9 000
Box Gross Weight	8.22 kg / 18.12 lbs	8.30 kg / 18.30 lbs	9.98 kg / 22.00 lbs	9.44 kg / 20.81 lbs
Pallet Dimensions	120 x 80 x 151 cm/ 47.2 x 31.5 x 59.4 in	120 x 80 x 151 cm / 47.2 x 31.5 x 59.4 in	120 x 80 x 126 cm / 47.2 x 31.5 x 49.6 in	120 x 80 x 126 cm / 47.2 x 31.5 x 49.6 in
Boxes/Pallet	48	48	36	36
Inlay/Pallet	864 000	480 000	324 000	324 000
Pallet Gross Weight	420 kg / 926 lbs	423 kg / 933 lbs	384 kg / 847 lbs	365 kg / 805 lbs

