

ABOUT TIMES-7

Times-7 is a high-tech company specialising in the design and manufacture of RAIN (UHF) RFID antennas, based in Lower Hutt, New Zealand. We export all over the world either direct or through our distributor, authorized reseller and integrated solutions provider network. Our brand is well-established in the global RFID market, and we are known for high quality and reliability, as well as our significant RF expertise.

Founded in 2006, Times-7 has developed the largest portfolio of fixed RAIN RFID reader antennas. As well as standard antennas for all applications, Times-7 also offers a custom antenna development service, when the requirements are not fully satisfied by our catalogue antennas.



- True NearField:
Only up to 10 cm / 4" read range
- Ideal for tap or touch applications
- IP68 rating
- One SKU for flush and VESA mount
- 150 mm / 5.9 in. square footprint

The SlimLine A5020 NearField antenna

The A5020 NearField antenna impresses with an extremely close read range of only up to 10 cm / 4" from the antenna's surface suitable for tap or touch applications.

Its pleasing aesthetics and timeless design blends beautifully with most interiors and allows both flush and VESA mounting.

With an IP68 rated all-plastic housing enclosure and built to Times-7's high standard for quality and robustness, the A5020 NearField antenna thrives in any environment.

Specifications

Dimensions (L x W x D):	150 mm x 150 mm x 14 mm 5.9 " x 5.9 " x 0.55 "
Weight:	0.25 kg / 0.55 lbs
Radome Material:	UV-Resistant ABS
Environmental Rating:	IP68
Operating / Storage Temperature:	-40° to +65°C -40° to +149°F
Mounting:	Flush or VESA mount (mounting info on page 3)
Connector type / position:	SMA female side connector

Electrical Specifications

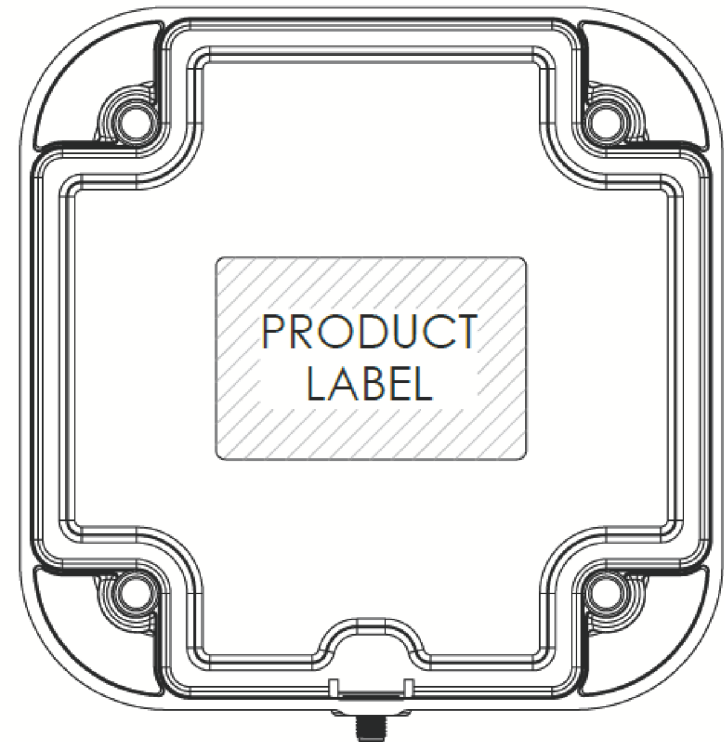
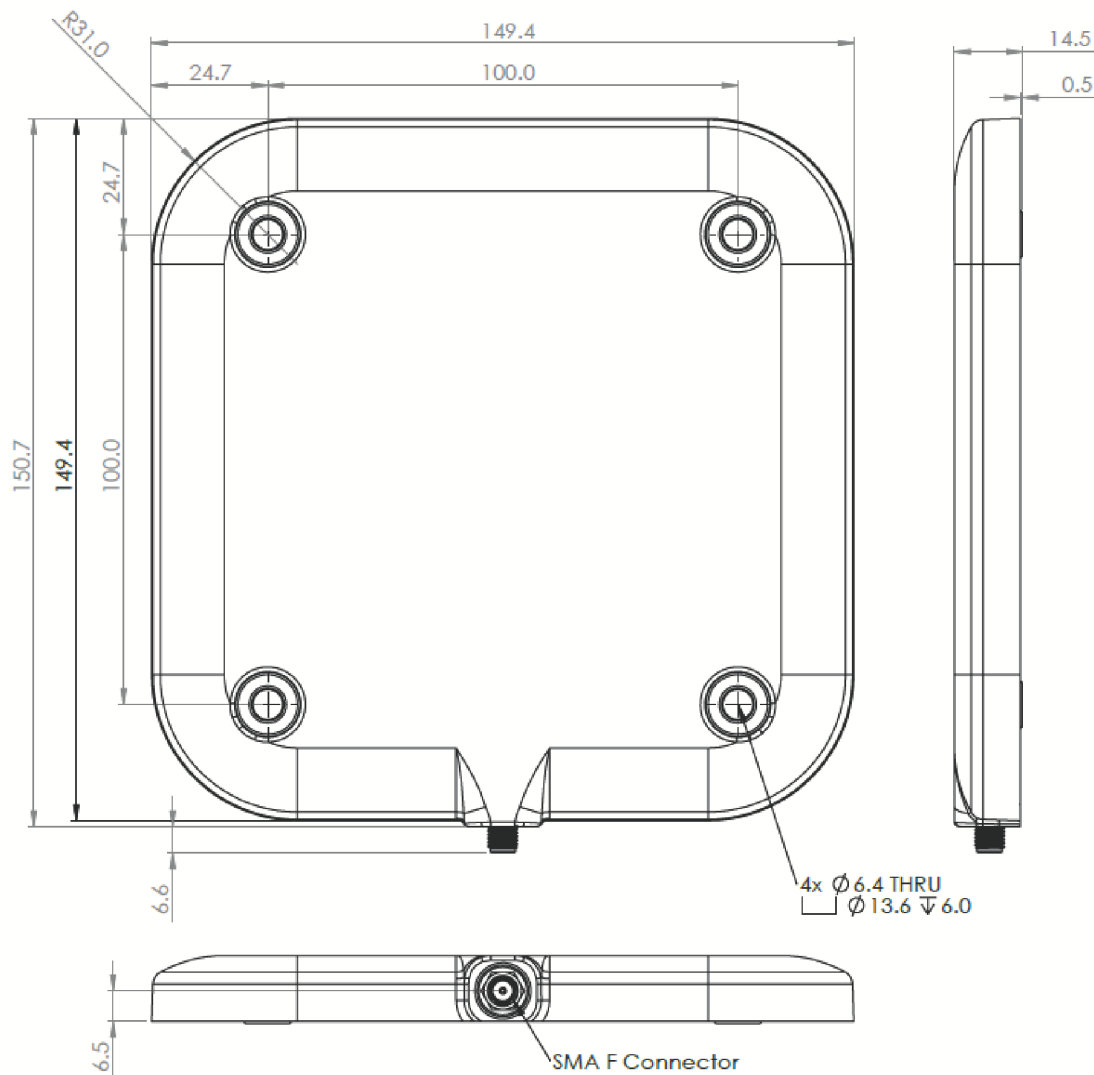
Frequency Range:	865-928 MHz
VSWR:	< 1.4 typical
Nominal Impedance:	50 Ω
Anti-static protection:	Yes, DC Grounded
Antenna Detection	100 Ω resistance
Maximum Input Power:	3 W

Order Information

(please quote both product code & part no.)

Product Code	Band	Part No.
A5020 Near Field Antenna	Wideband (865-928 MHz)	72057
Cable Accessories	Cable Type	Part No.
Cable 2 m, SMA to RPTNC	LMR 195 / 240 / 400	71436 / 71782 / 72042
Cable 4 m, SMA to RPTNC	LMR 240 / 400	71784 / 72043
Cable 6 m, SMA to RPTNC	LMR 240 / 400	71904 / 72044
Cable 8 m, SMA to RPTNC	LMR 240 / 400	71788 / 72045

Built in New Zealand. ROHS & CE compliant.



Part No.	Description
60010	A5020 Far Field Antenna - FCC
60011	A5020 Far Field Antenna - ETSI
72057	A5020 Near Field Antenna - Wideband

<small>THE INFORMATION CONTAINED IN THIS DRAWING IS THE SOLE PROPERTY OF TIMES-7 LTD. ANY REPRODUCTION IN PART OR AS A WHOLE WITHOUT THE WRITTEN PERMISSION OF TIMES-7 IS PROHIBITED.</small>	<small>DIMENSIONS ARE IN mm UNLESS OTHERWISE SPECIFIED TOLERANCES: NO DECIMAL PLACES ± 1 ONE PLACE DECIMAL ± 0.5</small>		DESCRIPTION		
			A5020 Far Field and A5020 Near Field Antenna		
DRAWN C Wilson	SIGNATURE <i>C Wilson</i>	DATE 31/07/19	SIZE A3	PART NO. See part number table	REV C
APPROVED R Lopez	SIGNATURE <i>R Lopez</i>	DATE 31/07/19	DO NOT SCALE DRAWING		SHEET 1 OF 1

Mounting Information

The A5020 is designed to support either flush or VESA mount. The flush mounting holes are VESA spaced and can accommodate M6 and 1/4" type bolts and M4 screws.



The mounting holes of the A5020 support VESA spaced mounting brackets as shown in the picture. For more information on the Mounting Bracket in the picture, please click [here](#).

Installation Instructions

Ensure that only a firm finger tightness is used for the SMA connector. Use of tools to tighten the connector will apply excess force and likely damage the connector.

Applications

- Tap and Touch Indoor/Outdoor
- Industrial environments
- Food processing
- Healthcare

GLOBAL SUPPORT

In addition to our world-class products and in-depth expertise, Times-7 is known for their quality of customer service and technical support. We place emphasis on our responsiveness in supporting a large global customer base and ensuring the success of our customer's implementations.

The technical data contained in this publication is not a guarantee for which Times-7 Research Ltd assumes legal accountability. It is indicative of typical performance, and if required should be relied on for specific applications only after due verification.

All technical data, specifications and other information contained herein are deemed to be the proprietary intellectual property of Times-7 Research Ltd. No reproduction, copy or use thereof may be made without the express written consent of Times-7 Research Ltd.

Times-7, and the stylized T-7 Antennas logo are trademarks or registered trademarks of Times-7 Research Ltd. All other trademarks are the property of their respective owners.
© 2019 Times-7 Research Ltd. All rights reserved. Specifications are subject to change without notice.
Datasheet v1.2