

## ABOUT TIMES-7

Pushing the boundaries of RFID technology worldwide Times-7 are leaders in RFID antenna design and manufacture. Our patented award winning UHF antennas meet the needs of virtually any industry application; providing customers with fast accurate tracking of products, assets & people; empowering organizations to transform processes & reduce costs.

Our SlimLine range of antennas are unique in the RFID industry; offering high levels of performance & durability in an aesthetically superior form. Proven in a diverse & growing range of markets, applications include: retail & customer interaction, conference & people tracking, race timing, baggage handling, and logistic & supply chain asset management.



Install a Times-7 SlimLine antenna anywhere!

High quality aluminum Mounting Plate

Available with M6 and M4 studs

Our new Universal Mounting Bracket with industry standard VESA mount complement the SlimLine range of UHF Antennas, making them easy to install anywhere!

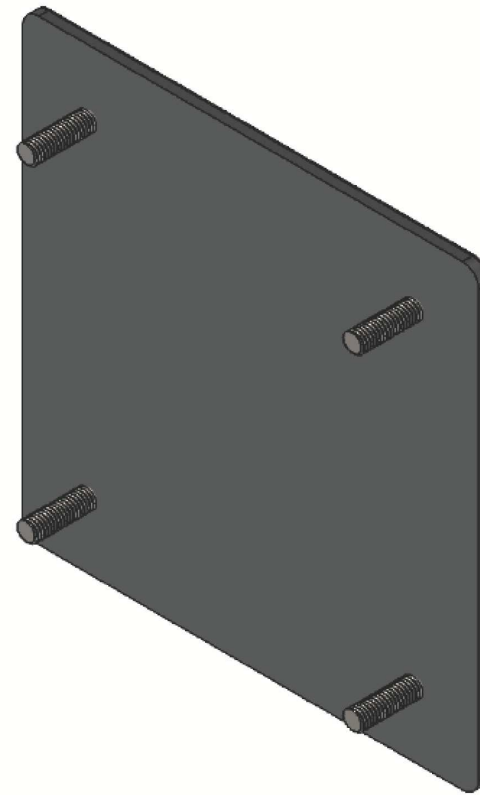
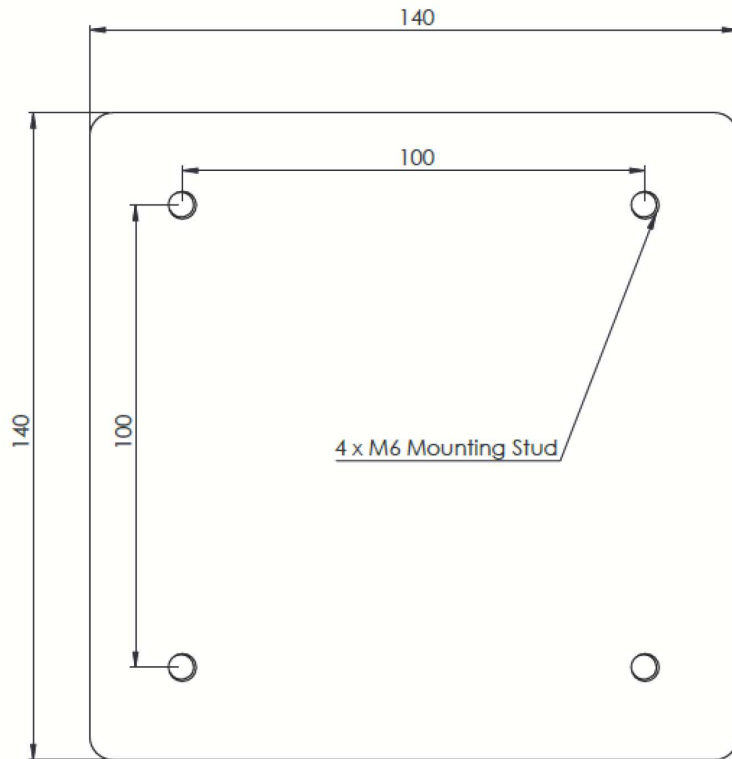
These brackets have been designed with installation simplicity in mind and cater for both interior and exterior mounting requirements under all environmental conditions. It is easy to install with industry tested double-sided tape (supplied) and will be delivered including all nuts and bolts needed.



## Specifications:

|                           |  |
|---------------------------|--|
| Dimensions<br>(L x W x D) | 140 x 140 x 1.6 mm                           |
|                           | 140 x 140 x 3.0 mm (incl. double sided tape) |
|                           | 5.5 x 5.5 x 0.06"                            |
|                           | 5.5 x 5.5 x 0.12" (incl. double sided tape)  |
| Stud Spacing              | 100 x 100 mm                                 |
| Stud size                 | M4 and M6                                    |
| <b>Part Number</b>        | <b>M4 71943</b><br><b>M6 71757</b>           |

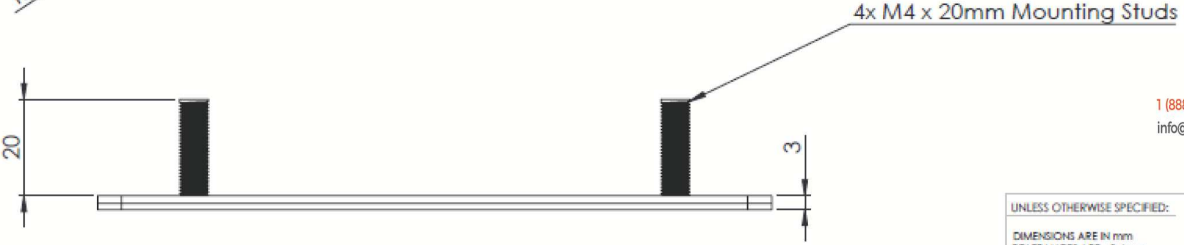
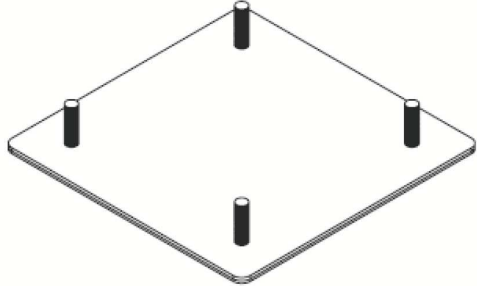
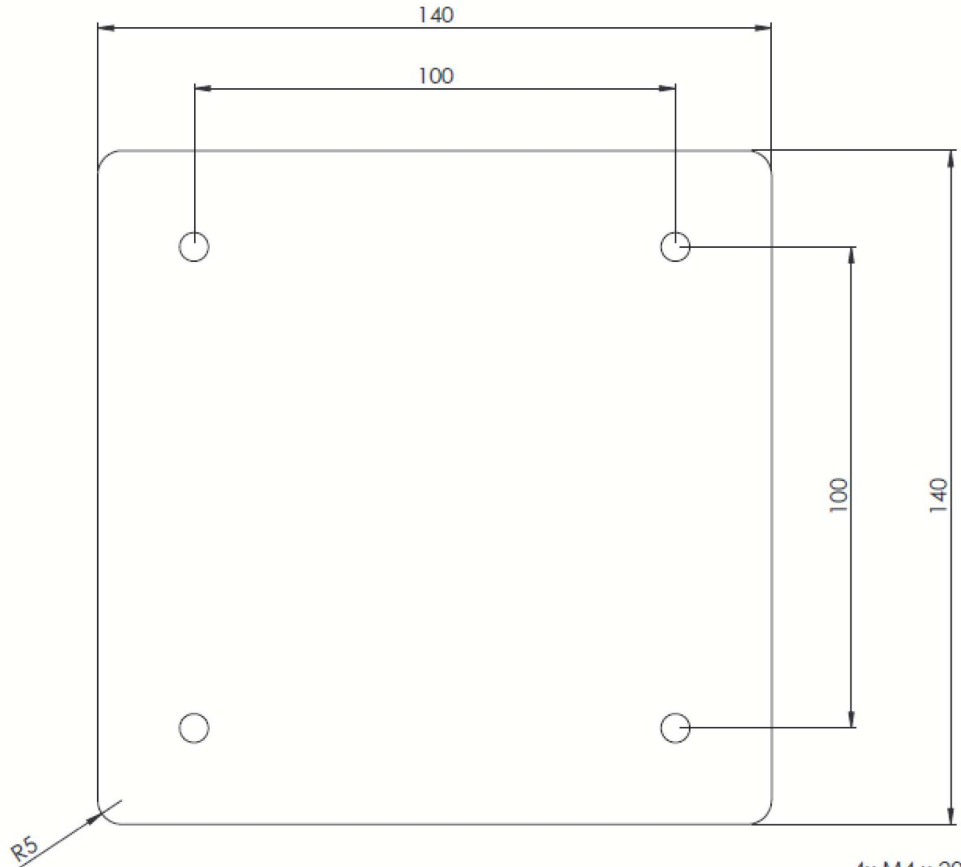
**Mechanical drawing for M6 studs**



|                                      |  |                        |                      |
|--------------------------------------|--|------------------------|----------------------|
| UNLESS OTHERWISE SPECIFIED:          |  |                        |                      |
| DIMENSIONS ARE IN mm                 |  |                        |                      |
| TOLERANCES:                          |  |                        |                      |
| FRACTIONAL ±                         |  |                        |                      |
| ANGULAR: MACH ± BEND ±               |  |                        |                      |
| TWO PLACE DECIMAL ±                  |  |                        |                      |
| THREE PLACE DECIMAL ±                |  |                        |                      |
| INTERPRET GEOMETRIC TOLERANCING PER: |  |                        |                      |
| MATERIAL                             |  | SIZE                   | DWG. NO.             |
| FINISH                               |  | <b>A3</b>              | <b>B</b>             |
| DO NOT SCALE DRAWING                 |  | SCALE: 1:1 Robby Lopez | WEIGHT: SHEET 1 OF 1 |

Universal Mounting Bracket

**Mechanical drawing for M4 studs**



1 (888) 238-1155 Inside USA • 1 (205) 383-2244 Outside USA  
 info@atlasRFIDstore.com • www.atlasRFIDstore.com



**PROPRIETARY AND CONFIDENTIAL**  
 THE INFORMATION CONTAINED IN THIS DRAWING IS THE SOLE PROPERTY OF TIMES-7 RESEARCH LTD. ANY REPRODUCTION IN PART OR AS A WHOLE WITHOUT THE WRITTEN PERMISSION OF TIMES-7 RESEARCH IS PROHIBITED.

UNLESS OTHERWISE SPECIFIED:  
 DIMENSIONS ARE IN mm  
 TOLERANCES ARE ±0.4mm

MATERIAL: Aluminium + VHB backing  
 FINISH: Grey Powdercoat  
 DO NOT SCALE DRAWING

|                       |                    |              |  |
|-----------------------|--------------------|--------------|--|
| TIMES-7 RESEARCH LTD  |                    |              |  |
| VESA Mounting Bracket |                    |              |  |
| SIZE                  | DWG. NO.           | REV          |  |
| <b>A3</b>             | <b>71943</b>       | <b>A</b>     |  |
| SCALE: 1:1            | DRAWN BY: C Wilson | SHEET 1 OF 1 |  |