



S9028PCR (RHCP) INDOOR RFID ANTENNA

The Vulcan RFID™ S9028PCR (RHCP) Indoor RFID Antenna features extremely low voltage standing waves (VSWR) and axial ratios. With these low ratios, users will be able to maximize the performance of the panel antenna and improve the efficiency of their system.

With an IP54 rating, the heavy-duty radome antenna enclosure is perfect for mounting directly to the walls of industrial environments.

However, wall-mounting isn't the only option with the Vulcan RFID™ S9028PCR Antenna. An optional articulating mount offers great agility when deploying your RFID systems.

The Vulcan RFID™ S9028PCR Antenna is ideal for applications such as:

- Warehouses
- Distribution Centers
- Transit Terminals
- Conveyer Belts
- Hospitals & Airports





Specifications

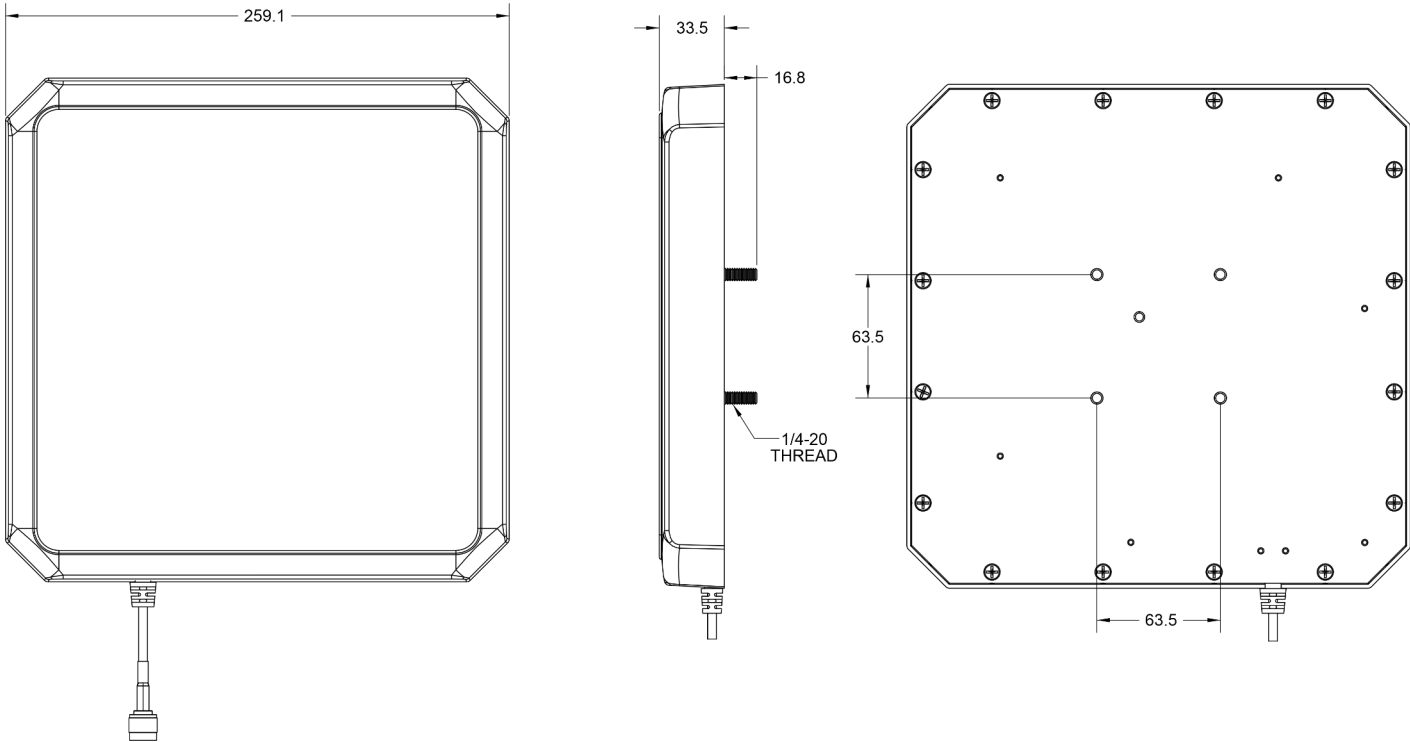
ELECTRICAL	Operating Frequency:	FCC (902-928 MHz)
	Polarization:	Right Hand Circular Polarization
	Gain:	8.5 dBic
	Elevation Beamwidth:	70°
	Azimuth Beamwidth:	70°
	Input Impedance:	50 Ω
	VSWR:	1.3:1
	Front-to-Back Ratio:	20 dB
	Axial Ratio:	1 dB Typical
	Maximum Input Power:	10 Watts

MECHANICAL	Connector Type:	RP-TNC Male (connects to RP-TNC Female)
	Mounting:	4 Mounting Threaded Studs
	Cable:	2.4 m (8 ft) integrated pigtail terminating in a RP-TNC Male connector
	Dimensions:	259 x 259 x 33 mm (10.2 x 10.2 x 1.32 in)
	Weight:	1 kg (2.3 lbs)
	Radome Material:	High Strength PC

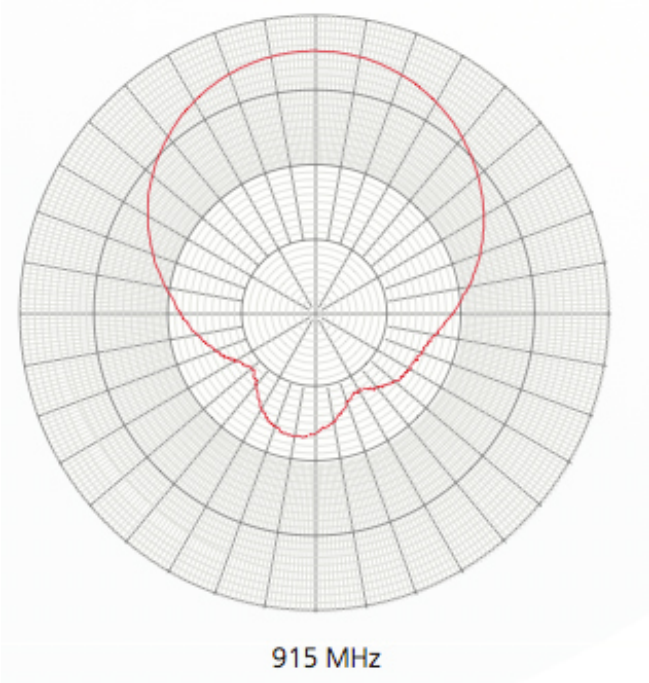
ENVIRONMENT	Operating Temperature:	-25° to +70°C (-13° to +158°F)
	Lightning Protection:	DC Grounded
	IP Rating:	IP 54



Diagrams



Radiation Pattern





Accessories & Compatible Products

Vulcan RFID™



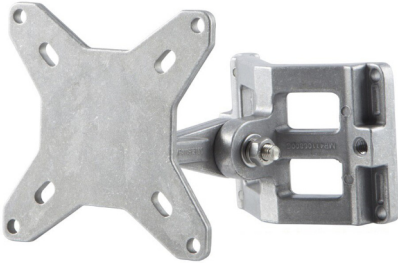
VUL-MAPPER

Vulcan RFID™



240-RP-TNC-M-RP-TNC-F-10
240-RP-TNC-M-RP-TNC-F-20

Vulcan RFID™



VUL-HDMNT-100MM

Vulcan RFID™



VUL-EZ-M6-COMBO

Vulcan RFID™



VUL-EZ-M9-COMBO

*For custom cable connectors or lengths please [contact us](#).



About Vulcan RFID™ Products

Vulcan RFID™ offers a broad range of innovative RFID antennas, RFID inlays, custom RFID tags, and accessories suited for a wide variety of industries and applications. With an extensive portfolio, Vulcan RFID™ products are manufactured to withstand environments ranging from mild to extreme. All Vulcan RFID™ products are thoroughly tested and built on a name you can trust. Vulcan RFID™ products enable you to reach and sustain high levels of performance with your UHF or NFC frequency application.



Vulcan RFID™ Antennas

Vulcan RFID™ offers an extensive collection of UHF RFID antennas designed to maximize the RF performance and coverage area of an RFID system.

[Shop Now](#)



Vulcan RFID™ Tags & Inlays

Vulcan RFID™ offers a broad range of RFID labels, tags and inlays built to withstand environments ranging from mild to extreme.

[Shop Now](#)



Vulcan RFID™ Accessories

Vulcan RFID™ provides a variety of high-quality accessories, RF hardware, and cables.

[Shop Now](#)



Inside USA
1 (888) 238-1155

Outside USA
1 (205) 383-2244

info@atlasRFIDstore.com
www.atlasRFIDstore.com