

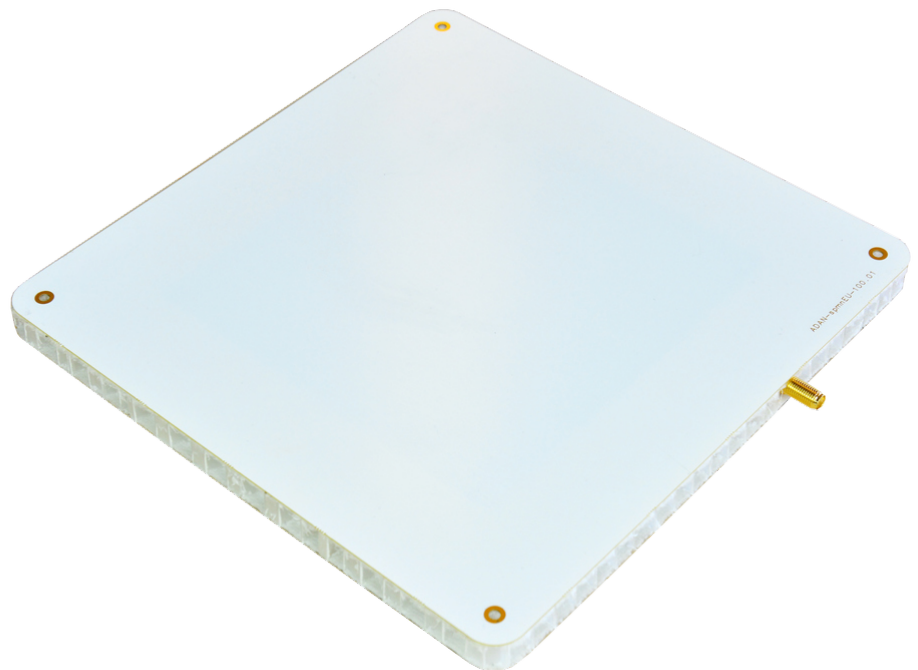


SP11 UHF RFID ANTENNA

The Vulcan RFID™ SP11 UHF RFID Antenna is a compact RFID UHF antenna with circular polarization. This antenna has a radiation pattern characterized by a wide beam in all directions in one hemisphere.

The Vulcan RFID UHF RFID Antenna's combination of a high gain, light weight, thin form factor, and compact size (compared to other high gain antennas available on the market) make this antenna ideal for many RFID applications such as but not limited to:

- RFID Portals
- RFID Tunnels
- RFID-enabled Drones
- Ceiling Inventory Systems
- Smart Shelves
- Smart Panels
- Smart Tables





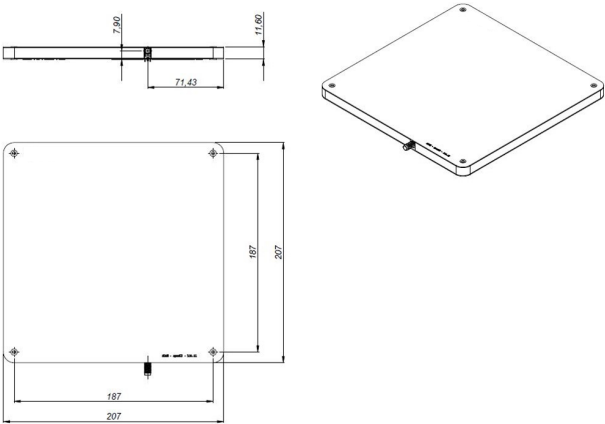
Specifications

ELECTRICAL	Operating Frequency:	FCC (902-928 MHz), ETSI (865-868 MHz)
	Polarization:	Circular
	Gain:	8.3 dBi (US), 5.3 dBi (EU)
	Max Read Distance:	Up to 5 m (16.4 ft)
	Elevation Beamwidth:	70°
	Azimuth Beamwidth:	70°
	Input Impedance:	50 Ω
	VSWR:	< 1.4:1
	Front-to-Back Ratio:	< -15 dB
	Axial Ratio:	US: At boresight 0.02 dB, at 3 dB beamwidth 0.6 dB (typical), 1.3 dB (max)
		EU: At boresight 0.1 dB, at 3 dB beamwidth 0.6 dB (typical), 1.2 dB (max)
	Radiation Pattern:	Pencil Beam
Antenna Technology:	Patch	
MECHANICAL	Connector Type:	SMA Female (connects to SMA Male)
	Mounting:	Integrated Mounting Holes
	Cable:	Not Included
	Dimensions - Excludes Connector:	207 x 207 x 11.7 mm (8.15 x 8.15 x 0.5 in)
	Dimensions - With Right Angle Connector:	207 x 220 x 11.7 mm (8.15 x 8.66 x 0.5 in)
	Weight:	0.2 kg (0.44 lbs)
ENVIRONMENT	Operating Temperature:	-20 °C to +60 °C (-4 °F to +140 °F)
	IP Rating:	IP 60

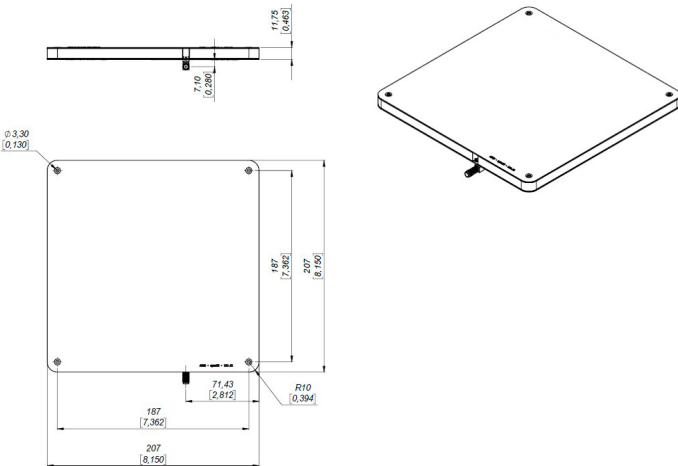


Diagrams

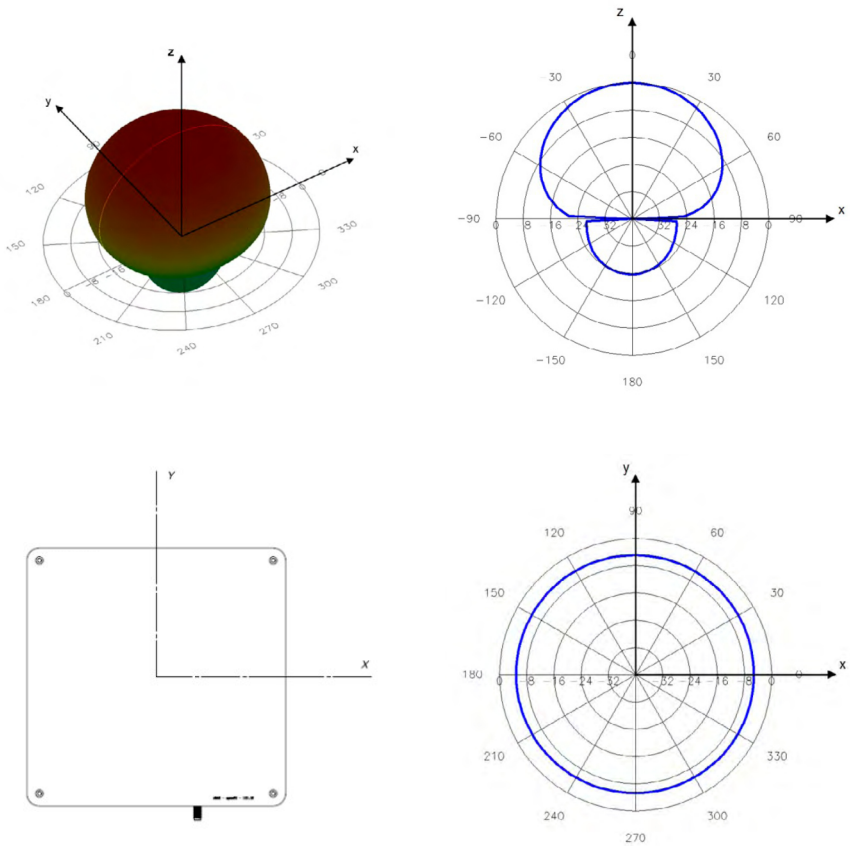
Connector between the layers of the antenna.



Right angle connector over the non-radiating side of the antenna



Radiation Pattern





Product Variations

Product Code	Connector Type	FCC (902-928 MHz)	ETSI (865-868 MHz)
	Edge Mount	VUL-ADAN-SP11US-PRMSMA-1-100	VUL-ADAN-SP11EU-PRMSMA-1-100
	Flange Right Angle	VUL-ADAN-SP11US-PROSMA-1-100	VUL-ADAN-SP11EU-PROSMA-1-100

Accessories & Compatible Products

Vulcan RFID™



VUL-MAPPER

Vulcan RFID™



- 195-RP-TNC-M-SMA-M-12
- 240-RP-TNC-M-SMA-M-25
- 400-RP-TNC-M-SMA-M-35

*For custom cable connectors or lengths please [contact us](#).

About Vulcan RFID™ Products

Vulcan RFID™ offers a broad range of innovative RFID antennas, RFID inlays, custom RFID tags, and accessories suited for a wide variety of industries and applications. With an extensive portfolio, Vulcan RFID™ products are manufactured to withstand environments ranging from mild to extreme. All Vulcan RFID™ products are thoroughly tested and built on a name you can trust. Vulcan RFID™ products enable you to reach and sustain high levels of performance with your UHF or NFC frequency application.



Inside USA
1 (888) 238-1155

Outside USA
1 (205) 383-2244

info@atlasRFIDstore.com
 www.atlasRFIDstore.com