



LINE 12

HIGH GAIN RFID ANTENNA

The Vulcan RFID™ LINE12 High Gain Antenna is a linear polarized antenna that is versatile, rugged, and highly efficient for a multitude of applications requiring maximum performance at wide read-ranges.

Its IP65 rating makes the Vulcan RFID™ LINE12 High Gain Antenna suitable for outdoor and industrial applications.

Offering high gain, this antenna is ideal for applications where maximum read zone coverage is needed, such as:

- Warehouse
- Fleet Management
- Industrial Portals
- Access Control
- Asset Management
- Distribution Center Yards





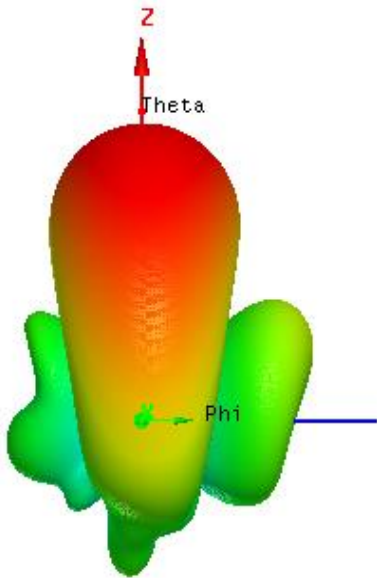
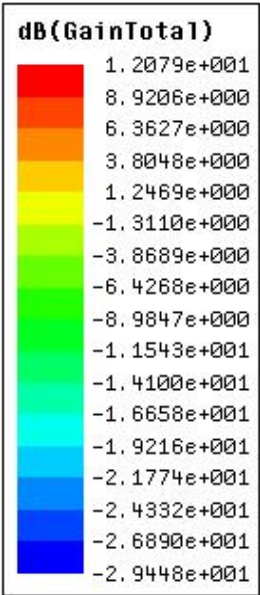
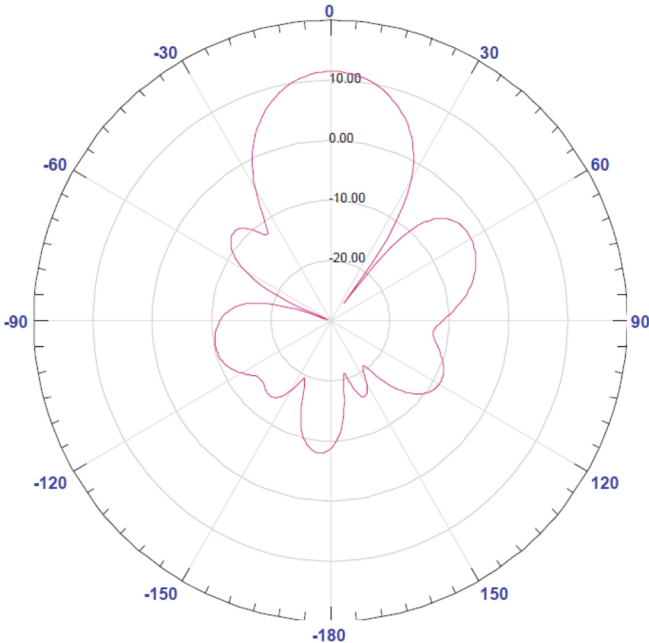
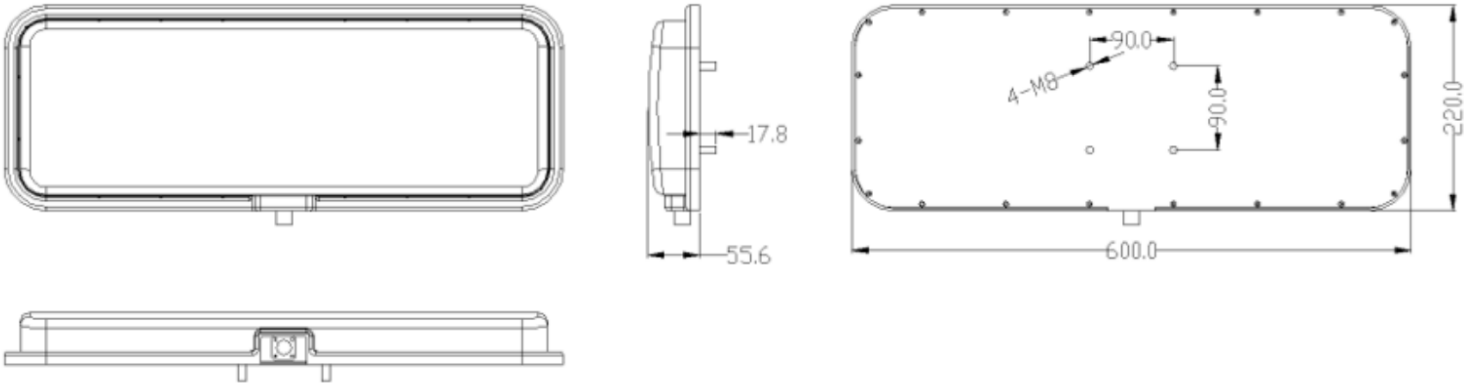
Specifications

ELECTRICAL	Operating Frequency:	FCC (902-928 MHz)
	Polarization:	Linear Polarization
	Gain:	12 dBi
	Elevation Beamwidth:	Not Published
	Azimuth Beamwidth:	Not Published
	Input Impedance:	50 Ω
	VSWR:	1.3:1
	Axial Ratio:	2.0 dB Typical
MECHANICAL	Connector Type:	N-Type Female (connects to N-Type Male)
	Mounting:	4 Threaded Studs
	Cable:	Not Included
	Dimensions:	582 x 202 x 55.5 mm (22.9 x 7.95 x 2.19 in)
	Weight:	1.61 kg (3.55 lbs)
	Radome Material:	Engineering plastics ASA, Aluminum
ENVIRONMENT	Operating Temperature:	-40° to +85°C (-40° to +185°F)
	Storage Temperature:	-40° to +85°C (-40° to +185°F)
	IP Rating:	IP 67



Diagrams

Dimensions (mm)

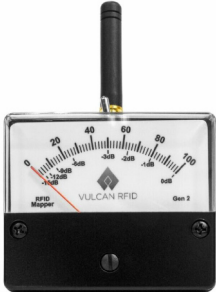


Antenna pattern (two-dimensional pattern)

Antenna radiation pattern

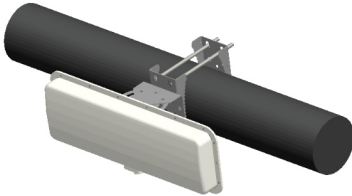
Accessories & Compatible Products

Vulcan RFID™



VUL-MAPPER

Vulcan RFID™



VUL-X49-AB12-BR

Vulcan RFID™



195-RP-TNC-M-N-Type-M-12
195-RP-TNC-M-N-Type-M-25

*For custom cable connectors or lengths please [contact us](#).



About Vulcan RFID™ Products

Vulcan RFID™ offers a broad range of innovative RFID readers, antennas, custom RFID tags, and accessories suited for a wide variety of industries and applications. Designed to deliver superior accuracy and reliability, Vulcan RFID™ products offer exceptional flexibility and performance. Vulcan RFID™ delivers an extensive product portfolio that includes both UHF and NFC products that support a large variety of market solutions. Manufactured to withstand environments ranging from mild to extreme, Vulcan RFID™ products enable end-users to reach and sustain high levels of performance in the UHF or NFC frequency bands.



Vulcan RFID™ Readers

Vulcan RFID™ offers high-performance RFID readers that are easy to install, configure, and integrate.

[Shop Now](#)



Vulcan RFID™ Antennas

Vulcan RFID™ offers an extensive collection of UHF RFID antennas designed to maximize the RF performance and coverage area of an RFID system.

[Shop Now](#)



Vulcan RFID™ Tags & Inlays

Vulcan RFID™ offers a broad range of RFID labels, tags and inlays built to withstand environments ranging from mild to extreme.

[Shop Now](#)



Vulcan RFID™ Accessories

Vulcan RFID™ provides a variety of high-quality accessories, RF hardware, and cables.

[Shop Now](#)



Inside USA
1 (888) 238-1155

Outside USA
1 (205) 383-2244

info@atlasRFIDstore.com
www.atlasRFIDstore.com