



# P33

# ANTENNA HOLDER

The Vulcan RFID™ p33 Antenna Holder is designed specifically for the Vulcan RFID™ p33 UHF RFID Antenna. With its thin and easy to mount profile, the Vulcan RFID™ p33 Antenna Holder offers a new level of comfort in areas previously difficult to accommodate an antenna.

Key benefits to the Vulcan RFID™ p33 Antenna Holder include:

- Thin Design
- Very Light
- Easy to Mount
- Reduces Time and Cost of Installation



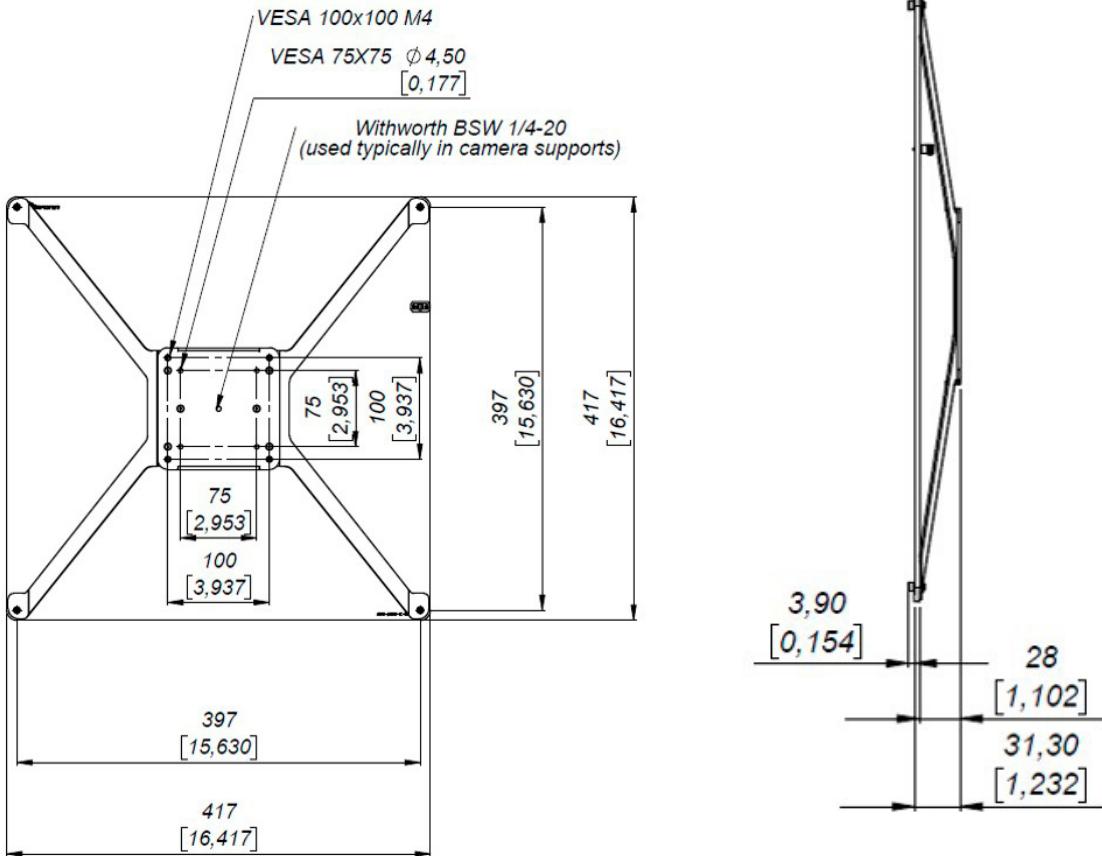


# Specifications

MECHANICAL	Color:	Grey
	Weight:	0.09 kg (0.198 lbs)

# Diagrams

Mechanical Specifications (in Millimeters)





## Accessories & Compatible Products

### Vulcan RFID™



VUL-ADAN-p33US-FLSMA-200

VUL-ADAN-p33EU-FLSMA-200

VUL-ADAN-p33US-FRSMA-200

VUL-ADAN-p33EU-FRSMA-200

---

## About Vulcan RFID™ Products

Vulcan RFID™ offers a broad range of innovative RFID antennas, RFID inlays, custom RFID tags, and accessories suited for a wide variety of industries and applications. With an extensive portfolio, Vulcan RFID™ products are manufactured to withstand environments ranging from mild to extreme. All Vulcan RFID™ products are thoroughly tested and built on a name you can trust. Vulcan RFID™ products enable you to reach and sustain high levels of performance with your UHF or NFC frequency application.



Inside USA  
**1 (888) 238-1155**

Outside USA  
**1 (205) 383-2244**

[info@atlasRFIDstore.com](mailto:info@atlasRFIDstore.com)  
[www.atlasRFIDstore.com](http://www.atlasRFIDstore.com)