



C912

OUTDOOR RFID ANTENNA

The Vulcan RFID C912 Outdoor RFID Antenna is a long-range, circularly polarized antenna designed to read tags in **all orientations** as they approach the read zone, with industry-leading axial ratio for best read yield across tag orientations.

The C912's narrow beamwidth and **excellent front-to-back** ratio make it an ideal choice for demanding applications such as traffic lane monitoring, toll gate installations, and **high-throughput** logistics environments where precision and read consistency matter.

Featuring 100 x 100 mm M6 threaded **VESA mounting studs**, the Vulcan RFID C912 Antenna can be easily installed using the Vulcan RFID HDMNT-100MM Mounting Bracket.

With an **IP67 rating** and flange-mount or connector, the Vulcan RFID C912 Antenna is built for reliable performance across a wide range of **harsh indoor and outdoor environments**. Its versatility makes it ideal for applications including but not limited to:

- Vehicle Monitoring
- Asset Management
- Auto Toll Gates
- Logistics
- Quality Control
- Manufacturing
- Warehouse Management





Specifications

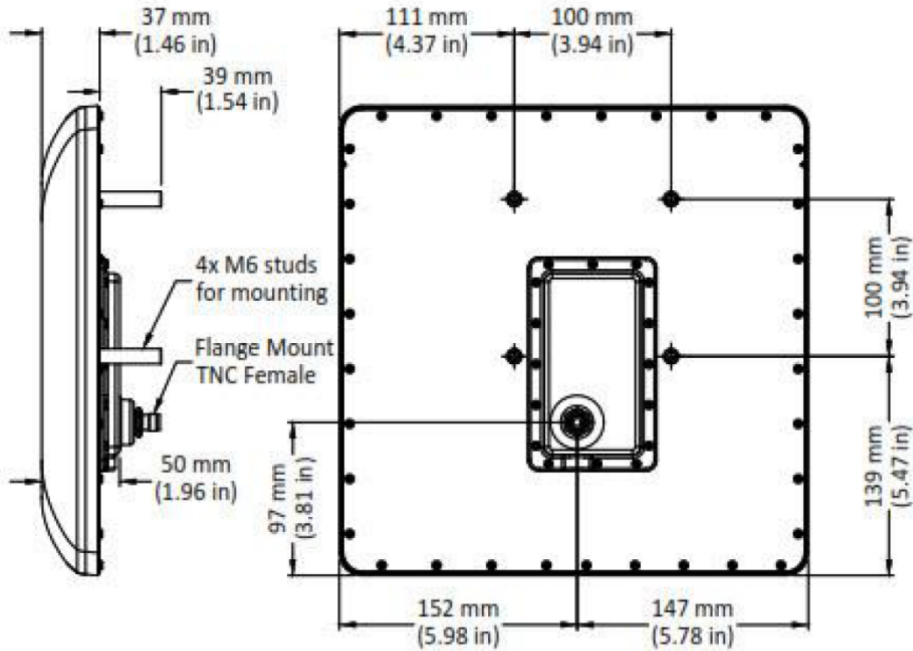
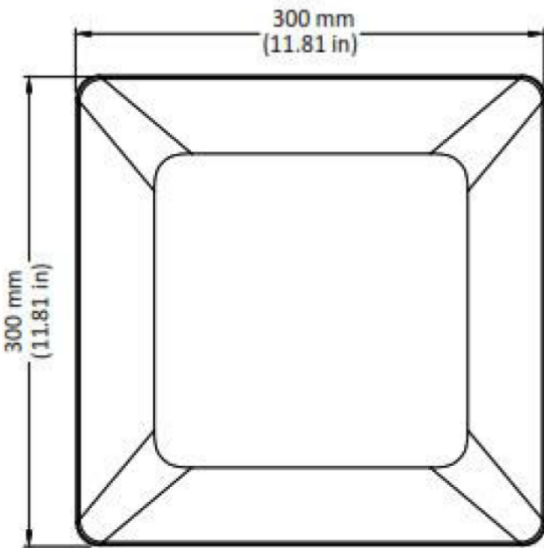
ELECTRICAL	Operating Frequency:	FCC (902-928 MHz)
	Polarization:	Left Hand Circular Polarization
	Gain:	9.4 dBiC
	Elevation Beamwidth:	65°
	Azimuth Beamwidth:	65°
	Input Impedance:	50 Ω
	VSWR:	< 1.2 : 1
	Front-to-Back Ratio:	18 dB
	Axial Ratio:	< 1.0 dB

MECHANICAL	Connector Type:	Flange RP-TNC Female (Connects to RP-TNC Male)
	Mounting:	100 x 100 mm VESA Threaded Studs
	Cable:	Not Included
	Dimensions:	300 x 300 x 37 mm (11.81 x 11.81 x 1.45 in)
	Weight:	1.07 kg (2.36 lbs)
	Radome Material:	Durable ASA

ENVIRONMENT	Operating Temperature:	-40° to +70°C (-40° to +158°F)
	Storage Temperature:	-40° to +70°C (-40° to +158°F)
	Humidity:	10% to 95% Non-Condensing
	Lightning Protection:	DC Grounded
	IP Rating:	IP 67



Diagrams





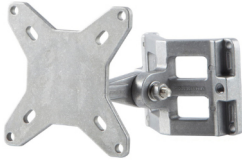
Accessories & Compatible Products

Vulcan RFID



VUL-MAPPER

Vulcan RFID



VUL-HDMNT-100MM

Vulcan RFID



195-RP-TNC-M-SMA-M-12
240-RP-TNC-M-SMA-M-25
400-RP-TNC-M-SMA-M-35

*For custom cable connectors or lengths please [contact us](#).



About Vulcan RFID Products

Vulcan RFID offers a broad range of innovative RFID readers, antennas, custom RFID tags, and accessories suited for a wide variety of industries and applications. Designed to deliver superior accuracy and reliability, Vulcan RFID products offer exceptional flexibility and performance. Vulcan RFID delivers an extensive product portfolio that includes both UHF and NFC products that support a large variety of market solutions. Manufactured to withstand environments ranging from mild to extreme, Vulcan RFID products enable end-users to reach and sustain high levels of performance in the UHF or NFC frequency bands.



Vulcan RFID Readers

Vulcan RFID offers high-performance RFID readers that are easy to install, configure, and integrate.

[Shop Now](#)



Vulcan RFID Antennas

Vulcan RFID offers an extensive collection of UHF RFID antennas designed to maximize the RF performance and coverage area of an RFID system.

[Shop Now](#)



Vulcan RFID Tags & Inlays

Vulcan RFID offers a broad range of RFID labels, tags and inlays built to withstand environments ranging from mild to extreme.

[Shop Now](#)



Vulcan RFID Accessories

Vulcan RFID provides a variety of high-quality accessories, RF hardware, and cables.

[Shop Now](#)



(205) 383-2244

sales@atlasRFIDstore.com

www.atlasRFIDstore.com