



C610

OUTDOOR RFID ANTENNA

The Vulcan RFID C610 Outdoor RFID Antenna is a thin, long-range, monostatic, circularly polarized antenna that can read tags in **all orientations** as the tags approach the read zone.

The **streamlined** design of the Vulcan RFID C610 Antenna enables the antenna to be installed in **narrow spaces** where larger antennas will not fit without any compromises on performance.

Featuring 100 x 100 mm M4 threaded VESA mounting studs, the Vulcan RFID C610 Antenna can be easily installed using the Vulcan RFID HDMNT-100MM Mounting Bracket.

With an IP67 rating and **waterproof SMA connector**, the Vulcan RFID C610 Antenna is equipped to handle a variety of harsh environments. Its versatility makes it ideal for indoor and outdoor applications, including but not limited to:

- Vehicle Monitoring
- Asset Management
- Auto Toll Gates
- Logistics
- Quality Control
- Manufacturing
- Warehouse Management



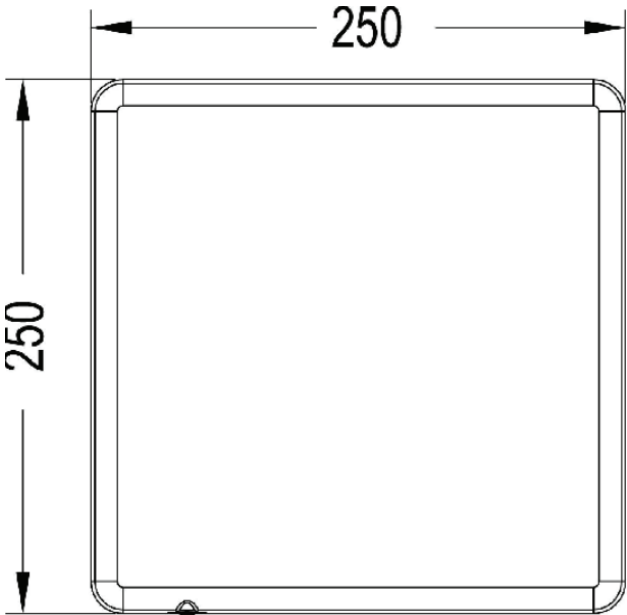


Specifications

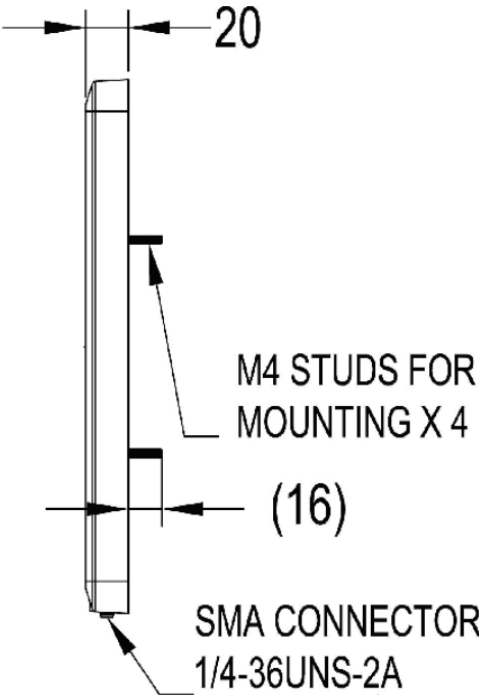
ELECTRICAL	Operating Frequency:	FCC (902-928 MHz)
	Polarization:	Circular Polarization
	Gain:	6 dBiC
	Elevation Beamwidth:	70°
	Azimuth Beamwidth:	70°
	Input Impedance:	50 Ω
	VSWR:	< 1.1
	Front-to-Back Ratio:	20 dB
	Axial Ratio:	1.2 dB
MECHANICAL	Connector Type:	SMA Female (Connects to SMA Male)
	Mounting:	100 x 100 mm VESA Threaded Studs
	Cable:	Not Included
	Dimensions:	250 x 250 x 20 mm (9.84 x 9.84 x 0.79 in)
	Weight:	0.69 kg (1.52 lbs)
	Radome Material:	UV-Resistant ASA
ENVIRONMENT	Operating Temperature:	-40° to +70°C (-40° to +158°F)
	Storage Temperature:	-40° to +70°C (-40° to +158°F)
	Humidity:	10% to 95% Non-Condensing
	Lightning Protection:	DC Grounded
	IP Rating:	IP 67



Diagrams



Dimension in MM





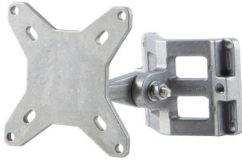
Accessories & Compatible Products

Vulcan RFID



VUL-MAPPER

Vulcan RFID



VUL-HDMNT-100MM

Vulcan RFID



195-RP-TNC-M-SMA-M-12
240-RP-TNC-M-SMA-M-25
400-RP-TNC-M-SMA-M-35

*For custom cable connectors or lengths please [contact us](#).



About Vulcan RFID Products

Vulcan RFID offers a broad range of innovative RFID readers, antennas, custom RFID tags, and accessories suited for a wide variety of industries and applications. Designed to deliver superior accuracy and reliability, Vulcan RFID products offer exceptional flexibility and performance. Vulcan RFID delivers an extensive product portfolio that includes both UHF and NFC products that support a large variety of market solutions. Manufactured to withstand environments ranging from mild to extreme, Vulcan RFID products enable end-users to reach and sustain high levels of performance in the UHF or NFC frequency bands.



Vulcan RFID Readers

Vulcan RFID offers high-performance RFID readers that are easy to install, configure, and integrate.

[Shop Now](#)



Vulcan RFID Antennas

Vulcan RFID offers an extensive collection of UHF RFID antennas designed to maximize the RF performance and coverage area of an RFID system.

[Shop Now](#)



Vulcan RFID Tags & Inlays

Vulcan RFID offers a broad range of RFID labels, tags and inlays built to withstand environments ranging from mild to extreme.

[Shop Now](#)



Vulcan RFID Accessories

Vulcan RFID provides a variety of high-quality accessories, RF hardware, and cables.

[Shop Now](#)



(205) 383-2244

sales@atlasRFIDstore.com

www.atlasRFIDstore.com