



# CP11 UHF RFID ANTENNA

---

The Vulcan RFID™ CP11 UHF RFID Antenna is a compact RFID UHF circularly polarized antenna with a highly controlled reading area. By controlling the power of the RFID reader, the CP11 Antenna can work as a near-field antenna or as a wide range antenna.

When working as a near-field antenna, the reading area can be adjusted to just a few centimeters, even with far-field tags.

The Vulcan RFID™ CP11 UHF RFID Antenna's beveled design allows the antenna to be easily built into a surface to lay flat and flushed, like under the surface of a shelf or table. This makes the antenna an ideal solution for the following applications:

- Payment Systems
- Check-In Systems
- Access Control
- Smart Shelves
- Smart Displays
- Smart Panels
- Smart Tables





# Specifications

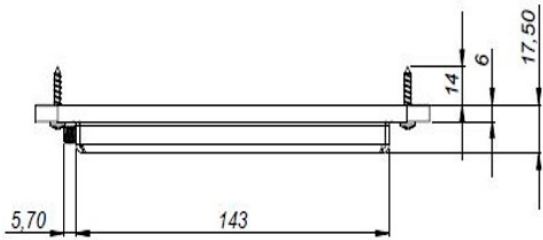
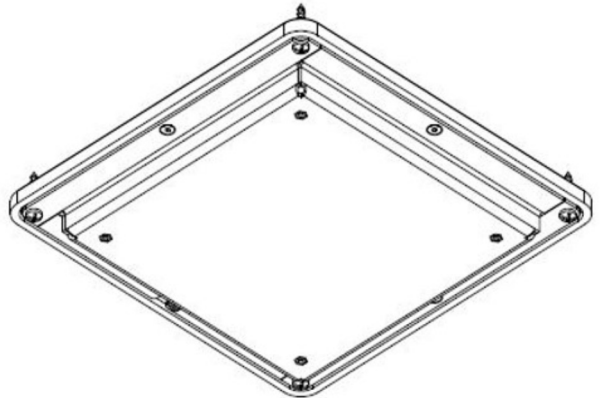
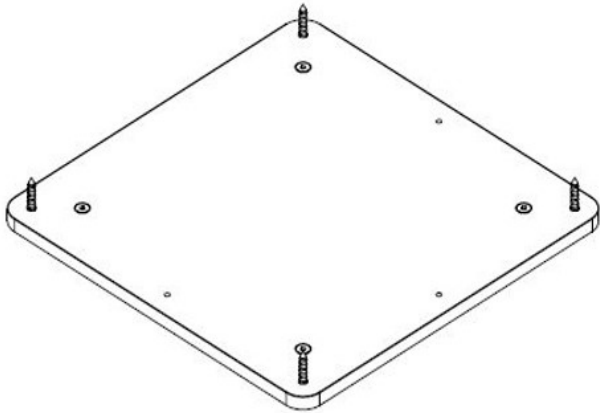
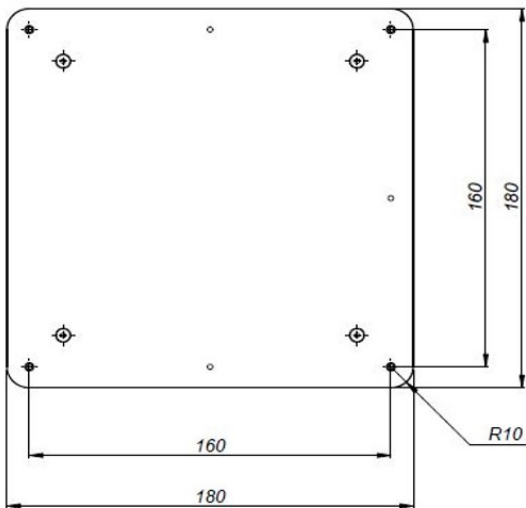
<b>ELECTRICAL</b>	Operating Frequency:	FCC (902-928 Mhz), ETSI (865-868 Mhz)
	Polarization:	Circular
	Gain:	0.2 dBi
	Max Read Distance:	Up to 3 m (9.8 ft) - In High Power Mode
	Elevation Beamwidth:	120°
	Azimuth Beamwidth:	120°
	Nominal Impedance:	50 Ω
	Radiation Pattern:	Adjustable

<b>MECHANICAL</b>	Connector Type:	SMA female (connects to SMA male)
	Mounting:	Integrated Mounting Holes
	Cable:	Not Included
	Dimensions - Excludes Connector:	180 x 180 x 17.5 mm (7 x 7 x 0.7 in)
	Weight:	0.49 kg (1.07 lbs)

<b>ENVIRONMENT</b>	Operating Temperature:	-20° C to +80° C (-4° F to +176° F)
	IP Rating:	IP 64

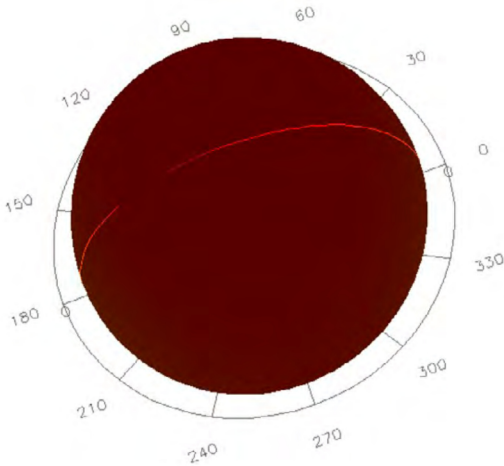


# Diagrams



Units in millimeters

## Radiation Pattern





# Product Variations

Product Code	Connector Type	FCC (902-928 MHz)	ETSI (865-868 MHz)
	Flange Straight	VUL-ADAN-CP11US-FLSMA-200	VUL-ADAN-CP11EU-FLSMA-200

# Accessories & Compatible Products

Vulcan RFID™



VUL-MAPPER

Vulcan RFID™



195-RP-TNC-M-SMA-M-12  
240-RP-TNC-M-SMA-M-25  
400-RP-TNC-M-SMA-M-35

\*For custom cable connectors or lengths please [contact us](#)

# About Vulcan RFID™ Products

Vulcan RFID™ offers a broad range of innovative RFID antennas, RFID inlays, custom RFID tags, and accessories suited for a wide variety of industries and applications. With an extensive portfolio, Vulcan RFID™ products are manufactured to withstand environments ranging from mild to extreme. All Vulcan RFID™ products are thoroughly tested and built on a name you can trust. Vulcan RFID™ products enable you to reach and sustain high levels of performance with your UHF or NFC frequency application.



Inside USA  
**1 (888) 238-1155**

Outside USA  
**1 (205) 383-2244**

info@atlasRFIDstore.com  
www.atlasRFIDstore.com