

Global Trak



Functional Specifications

RF air protocol	EPC Class 1 Gen 2; ISO18000-6C
Operating frequency	UHF 860-960 MHz (Global)
IC type	Impinj Monza 4QT ¹
Memory configuration	128-EPC bits; 512-bit user memory
Functionality	Read / write (user programmed)
Memory – expected read / write cycles	100,000 cycles at 77°F (25°C)
Data retention	50 years ²
Warranty (limited)	1 year

Performance Characteristics

Read range on-metal, 4W EIRP (2W ERP) ³	Up to 8 ft (2.5 m)
Read range off-metal, 4W EIRP (2W ERP) ³	Up to 6 ft (1.8 m)
Read range hanging, 4W EIRP (2W ERP) ³	Up to 6 ft (1.8 m)
Polarization	Linear

Physical Specifications

Material	Industry Grade Polymer
Mounting system	Adhesive; built-in ø 0.1 in (2.6 mm) tethering hole
Color	Dark gray, optional colors available
Optional label	Standard or custom data in 1D or 2D matrix and human readable EPC code

Environmental and Industry Compliance

FSTC	FSTC compliant
RoHS	EU Directive 2011/65/EU



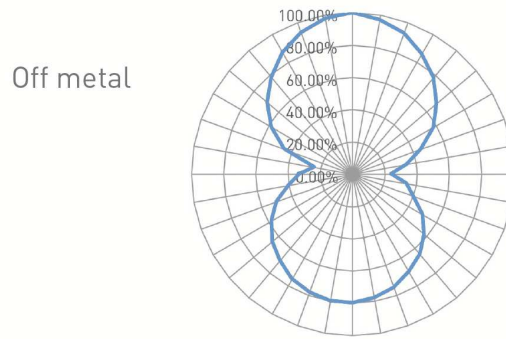
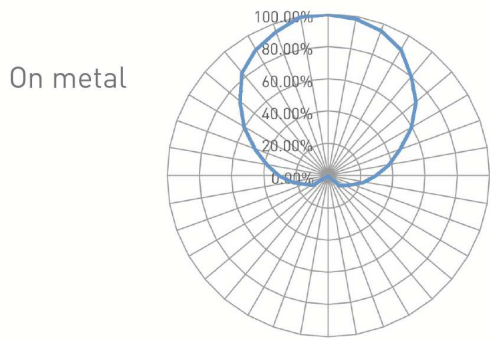
¹ This product utilizes an Impinj 4QT chip. All tags carry the same EPC number. However, the TID number is unique to each individual tag. Xerafy will verify the Read/Write function of each chip memory before shipment.

² The chip data retention is based on chip operating under general environment conditions.

³ Actual read range may vary based upon use case and antenna power.



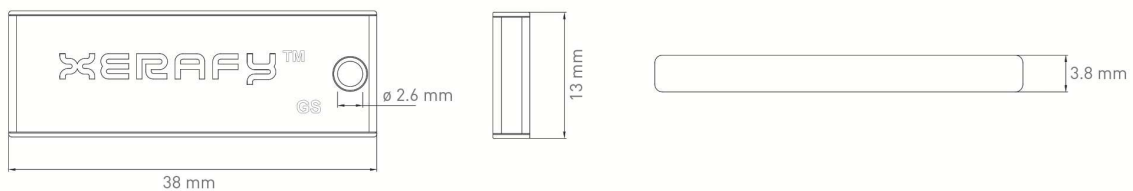
Radiation Pattern



Operational and Environmental Specifications

Operational temperature	
Cold	-40°F (-40°C)
Dry heat	+185°F (+85°C)
Thermal shock	-40°F to 185°F (-40°C to +85°C); cycled
Application temperature	
Cold	-40°F (-40°C)
Dry heat	+185°F (+85°C)
Humidity	
Operational humidity	5%-95% non-condensing
Storage humidity	5%-95% non-condensing
Shock (drop)	3 ft (1 m) to concrete/granite up to 200 cycles
Compression strength	14.5 psi (100 kPa)
IP classification	IP54

Product Dimensions and Weight



Dimensions (mm)	38 x 13 x 4
tolerance	+/- 0.35
Dimensions (in)	1.50 x 0.51 x 0.16
tolerance	+/- 0.014
Tethering hole diameter	0.1 in +/-0.008 (2.6 mm +/-0.2)
Weight	0.09 oz (2.6 g)

Order information

X0330-GL011-M4QT	Global Trak
------------------	-------------

Datasheet: 02.17.16