

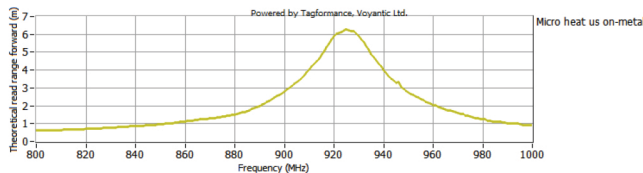


MICRO HEAT

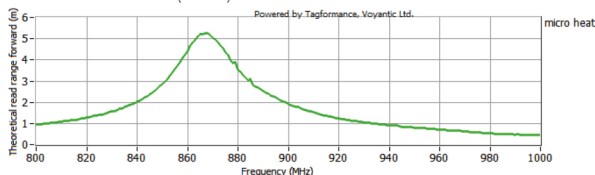
Technical Specifications

- **RF protocol** EPC Class1 Gen 2; ISO18000-6C
- **Frequency** 902-928 MHz (US); 865-868 MHz (EU)
- **IC type (chip)**¹ Alien Higgs 4
- **Chip memory**² 128 bits EPC; 64 bits TID; 128 bits user memory
- **Write cycles** 100,000 Times
- **Read range fixed**³ Up to 13.12 ft (4 m)
- **Read range handheld**³ Up to 10.50 ft (3.20 m)
- **Read range on metal**

On metal (US):



Off metal (EU):



Key Features

- + **215°C:** withstand high temperatures
- + **4 m read range:** read from a distance
- + **Rugged mounting systems**
- + **IP68 rating:** waterproof

Applications

- **High temperature production**
- **Work in process**
- **RTI management**

Environmental Specifications

Temperatures



- Operational -40°C to +85°C
- Survival -55°C to +215°C (48 hours)

- **IP rating** IP68
- **Compression strength** 355 psi (2,450 kPa)
- **Shock** 1m to concrete/granite
- **Vibration** MIL-STD-810G
- **Warranty** 1 year

¹ The chip data retention is up to 50 years, based on chip operating under general environment conditions.

² EPC can be re-programmed, password protected, or permanently locked. TID is locked and unique at the point of manufacturing.

³ Performance based on standard testing methodologies. Performance may vary depending on environmental factors and reader output power.

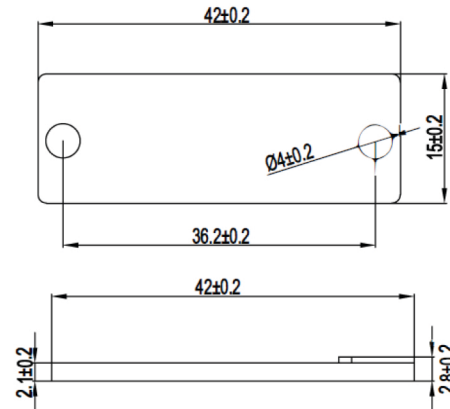


Physical Specifications

- **Material** High temperature polymer
- **Dimensions (mm)¹** 42 x 15, hole \varnothing 4
- **Thickness (mm)¹** 2.10 (2.80 with IC bump)
- **Weight** 0.08 oz (2.20 g)

Mounting Systems

- Screws
- Cable ties
- Industrial adhesive



Installation Instructions

1. Use M3 screws for attachment:
 - Drill two holes (\varnothing 4) in the metal surface, pitch: 36.20 mm.
 - Perform a M3 thread tapping procedure.
 - Utilize M3 screws to securely attach the tag to the metal surface.

¹Tolerance: +/- 0.008; +/- 0.200

Industry Compliance



Order Information

MICRO Heat US: X1220-US050-H4

MICRO Heat EU: X1220-EU050-H4

Customization Options

Encoding

Laser Marking

ATEX Certified Version

Printing

Industrial Adhesives

The information provided by Xerafy Singapore Pte. Ltd. is for general information purposes only. All information on the datasheet is provided in good faith. However we make no representation or warranty of any kind, express or implied, regarding the accuracy, adequacy, validity, reliability, availability, or completeness of any information on the datasheet.

Under no circumstance shall we have any liability to you for any loss or damage of any kind incurred as a result of the use of the product or reliance on any information provided on the datasheet. Your use of the product and your reliance on any information on the datasheet is solely at your own risk.



atlasRFIDstore
(205) 383-2244
sales@atlasRFIDstore.com
www.atlasRFIDstore.com

