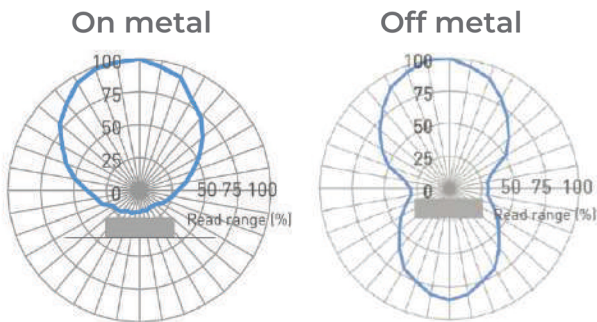




RTI OUTDOOR

Technical Specifications

- **RF protocol** EPC global Class 1 Gen 2
- **Frequency** 902-928 MHz (US); 865-868 MHz (EU)
- **IC type (chip)**¹ Impinj R6-P
- **Chip memory**² 128/96 bits EPC; 48 bits TID; 32/64 bits user memory
- **Read range on metal**³ Up to 39.37 ft (12 m)
- **Read range off metal**³ Up to 13.12 ft (4 m)
- **Polarization** Linear
- **Radiation pattern**



Key Features

- + **12 m read range:** read from a distance
- + **Rivet holes:** sturdy mounting options
- + **IP68 rating:** waterproof
- + **UV-Proof:** for outdoor environment
- + **Cost-effective:** for high volume

Applications

- RTI management
- Production logistics
- Yard management
- Long-distance shipping

Environmental Specifications

Temperatures



- Operational -40°C to +85°C
- Survival -40°C to +85°C (48 hours)

- **IP rating** IP68
- **Compression strength** 26 psi (180 kPa)
- **Shock** 3ft (1 m) to concrete/granite
- **Vibration** MIL-STD-810G
- **Warranty** 1 year

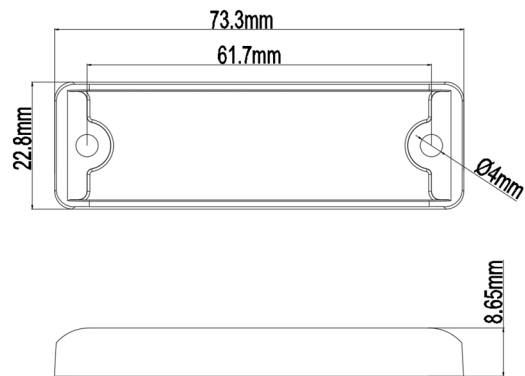
¹ The chip data retention is up to 50 years, based on chip operating under general environment conditions.

² EPC and User Memory can be re-programmed, password protected, or permanently locked. TID is locked and unique at the point of manufacturing.

³ Fix reader

Physical Specifications

- **Material** Anti-UV industry grade polymer
- **Dimensions (in)**¹ 2.88 x 0.90 x 0.34
- **Dimensions (mm)**¹ 73.30 x 22.80 x 8.65
- **Weight** 0.39 oz (11 g)



Mounting Systems

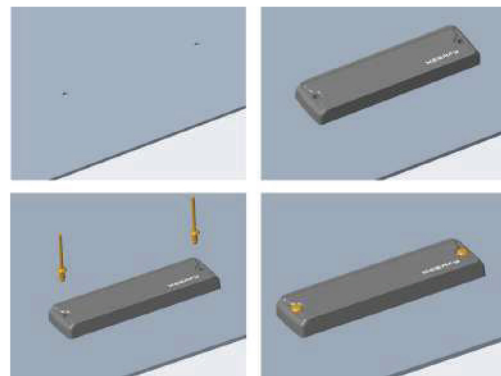
- Rivets
- Cable tie (optional)
- Industrial adhesive (optional)

Installation Instructions

Use M3 rivets for attachment:

1. Drill two holes (\varnothing 3.50) in the metal surface, pitch: 61.70 mm.
2. Utilize M3 rivets in conjunction with a rivet gun to securely fasten the tag onto the metal surface.

* Other installation options: adhesive / cable tie (based on your application environment)



¹ Tolerance: +/- 0.02; +/- 0.50

Industry Compliance



Order Information

RTI OUTDOOR US: X0352-US100-R6P

RTI OUTDOOR EU: X0352-EU100-R6P

Customization Options

Encoding

Laser Marking

ATEX Certified Version

Printing

Industrial Adhesives

The information provided by Xerafy Singapore Pte. Ltd. is for general information purposes only. All information on the datasheet is provided in good faith. However we make no representation or warranty of any kind, express or implied, regarding the accuracy, adequacy, validity, reliability, availability, or completeness of any information on the datasheet.

Under no circumstance shall we have any liability to you for any loss or damage of any kind incurred as a result of the use of the product or reliance on any information provided on the datasheet. Your use of the product and your reliance on any information on the datasheet is solely at your own risk.

