

Versa Trak



Functional Specifications

RF air protocol	EPC Class 1 Gen 2; ISO18000-6C
Operating frequency	UHF 902-928 MHz (US); 866-868 MHz (EU)
IC type	Alien Higgs-3
Memory configuration	96-bit EPC ; 512-bit user memory; 64-bit TID
Functionality	Read / write (user programmed); full duplex protocol
Memory – expected read / write cycles	100,000 cycles at 77°F (25°C)
Data retention	Up to 50 years ¹
Warranty(limited)	1 year

Performance Characteristics

Read range on-metal (2W ERP) ²	Up to 26 ft (8 m)
Read range off-metal (2W ERP) ²	Up to 13 ft (4 m)
Polarization	Linear

Physical Specifications

Material	Industry Grade Polymer
Mounting system	High performance adhesive
Color	Standard color – gray, other colors available

Environmental and Industry Compliance

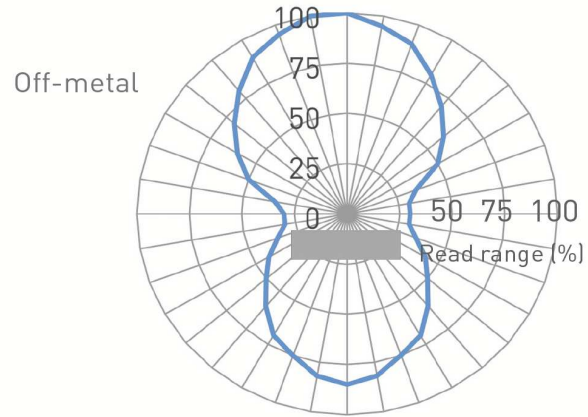
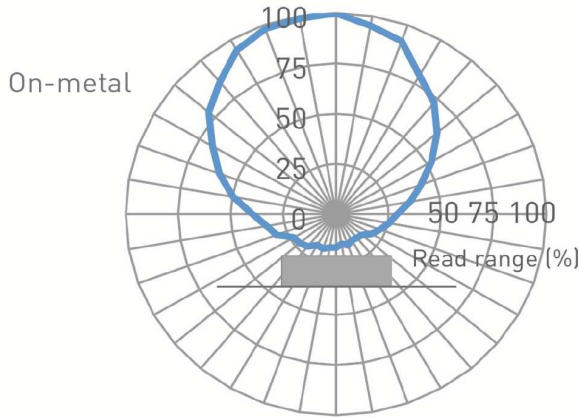
RoHS&REACH	EU Directive 2011/65/EU, EC1907/2006
------------	--------------------------------------



¹ The chip data retention is based on chip operating under general environment conditions.

² Actual read range may vary based upon use case and antenna power.

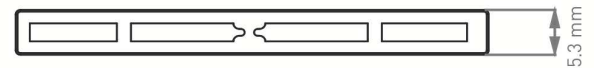
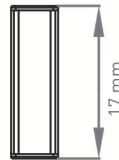
Radiation Pattern



Operational and Environmental Specifications

Operational temperature	
Cold	-40°F (-40°C)
Dry heat (Long term, days/weeks/years)	+185°F (+85°C)
Thermal shock	-22°F to 185°F (-30°C to +85°C); cycled
Application temperature	
Cold	-40°F (-40°C)
Dry heat (Short term, minutes/hours)	+185°F (+85°C)
Humidity	
Operational humidity	5%-95% non-condensing
Storage humidity	5%-95% non-condensing
Shock (drop)	3 ft (1 m) to concrete/granite up to 200 cycles
Vibration	MIL-STD-810G
Compression strength	26.1 psi (180 kPa)
IP classification	IP54

Product Dimensions and Weight



Dimensions (mm)	50.3 x 17 x 5.3
tolerance	+/- 0.35
Dimensions (in)	1.98 x 0.67 x 0.21
tolerance	+/- 0.014
Weight	0.11 oz (3 g)

Order information

X0350-US011-H3	Versa Trak US
X0350-EU011-H3	Versa Trak EU