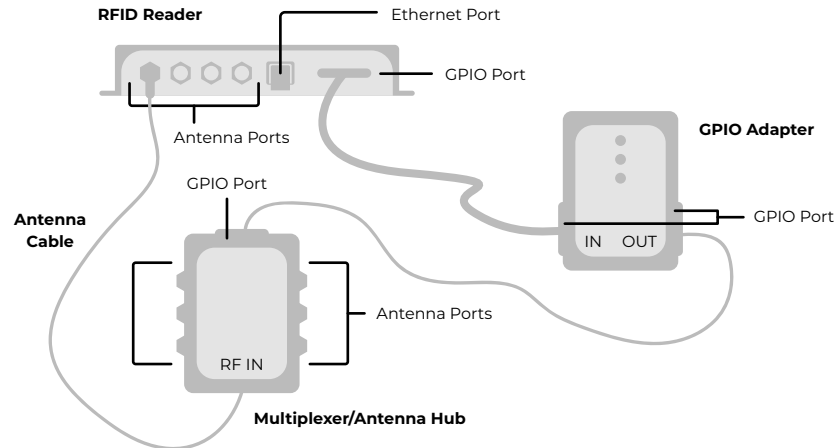


3 Ways To Connect To A Multiplexer

(RFID Antenna Hub)

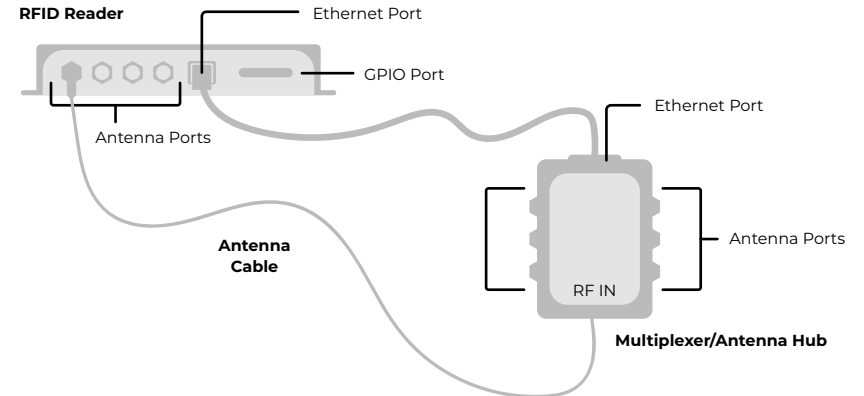
#1 GPIO Adapter



Example Configurations:

- Impinj R420 + Impinj Antenna Hub + GPIO Adapter
- Impinj R420 + Keonn AdvanMux-4 + AdvanGPIO Connection Board

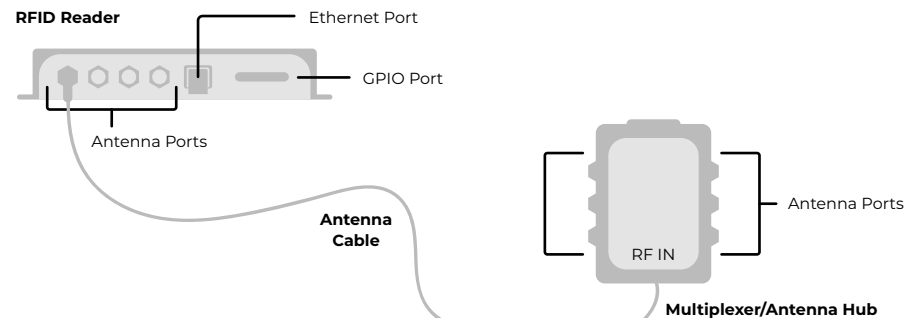
#2 Power Over Ethernet



Example Configurations:

- Keonn AdvanReader-70 + Keonn AdvanMux
- Keonn AdvanReader-160 + Keonn AdvanMux

#3 Antenna Cable



Example Configurations:

- Impinj R700 RFID Reader + Impinj R700 RFID Antenna Hub