

Wide Range RFID UHF Antenna

WIRA-70-circular-ETSI

Order-No. 52010078

Technical features:

- compact design
- low axial ratio for optimum performance
- read range *: up to 12 m
- optimized for portal applications
- suitable for use in industrial environments
- high IP 65 degree of protection
- suitable for outdoor use



* depending on tag properties, environment and requirements

Order-No.		52010078
Frequency range	MHz	865-868
Polarization		circular
Antenna gain	dBiC	typ. 8.5 (at 866 MHz)
Axial ratio	dB	typ. 1
VSWR		typ. 1.2:1
Impedance	Ω	50
Front-to-back ratio	dB	> 18
max. radiated power (ETSI EN 302 208)	dBm	+33 ERP
Far field half-power beam width	$^{\circ}$	69
Connection		TNC female
Operating temperature range	$^{\circ}\text{C}$	-20 to +55
Storage temperature range	$^{\circ}\text{C}$	-40 to +85
Degree of protection		IP 65
Weight	kg	1.7
Dimensions (L x W x H)	mm	271 x 271 x 45
Packing size (L x W x H)	mm	approx. 300 x 300 x 150

Material:

- Antenna cover: tough, weather-resistant polymer blend, colour: RAL7045
- Chassis: aluminium
- Patch plate: brass tin-plated
- Seals: thermoplastic elastomer

Mounting options:

- four M5 drill holes 100 x 100 mm VESA standardized

Accessories (optional):

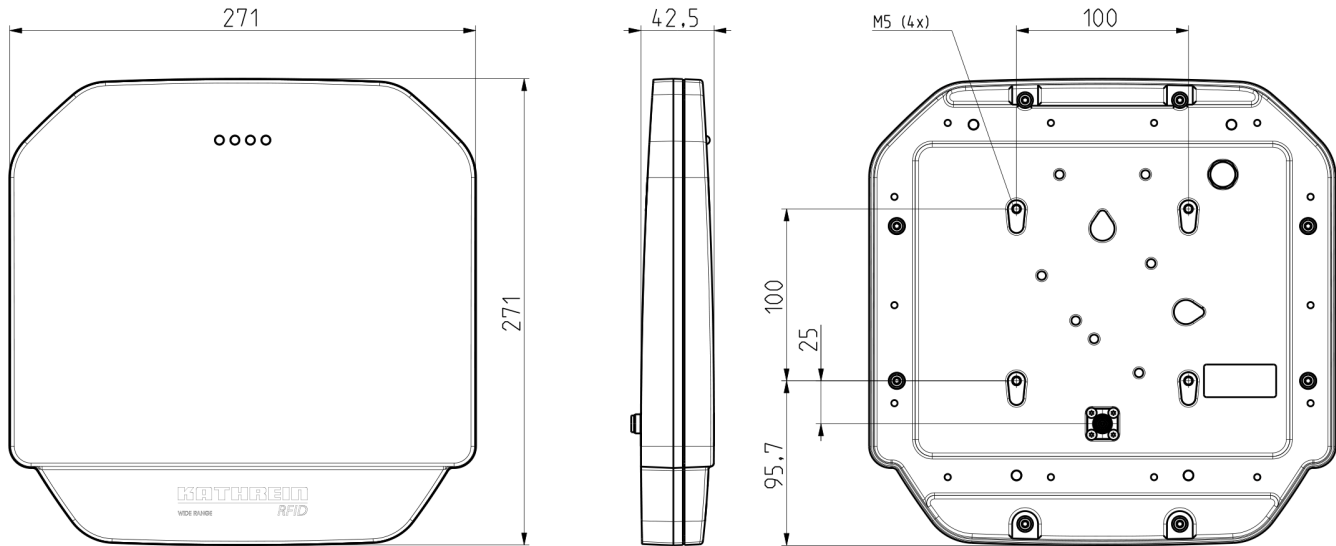
- wall/mast bracket (Order-No. 52010128), mounting kit for outdoor use



Wide Range RFID UHF Antenna WIRA-70-circular-ETSI Order-No. 52010078

KATHREIN
RFID

Dimensions in [mm]:



Description:

For classic far field applications with large reading distances, the Wide Range Antennas (WIRA) are the optimal choice: they are characterised by a very low axial ratio for circular polarization, whereby the dependence of reading results upon the position or alignment of tags is significantly reduced. For this reason they are also the ideal solution for portal applications in addition to many other application possibilities.

Example applications:

- Gate applications for goods registration
- Logistics
- Vehicle registration
- Bulk and single tag applications



atlasRFIDstore.com

1.888.238.1155 • Inside USA

1.205.383.2244 • Outside USA

info@atlasRFIDstore.com • www.atlasRFIDstore.com