

# AdvanHolder-p12™

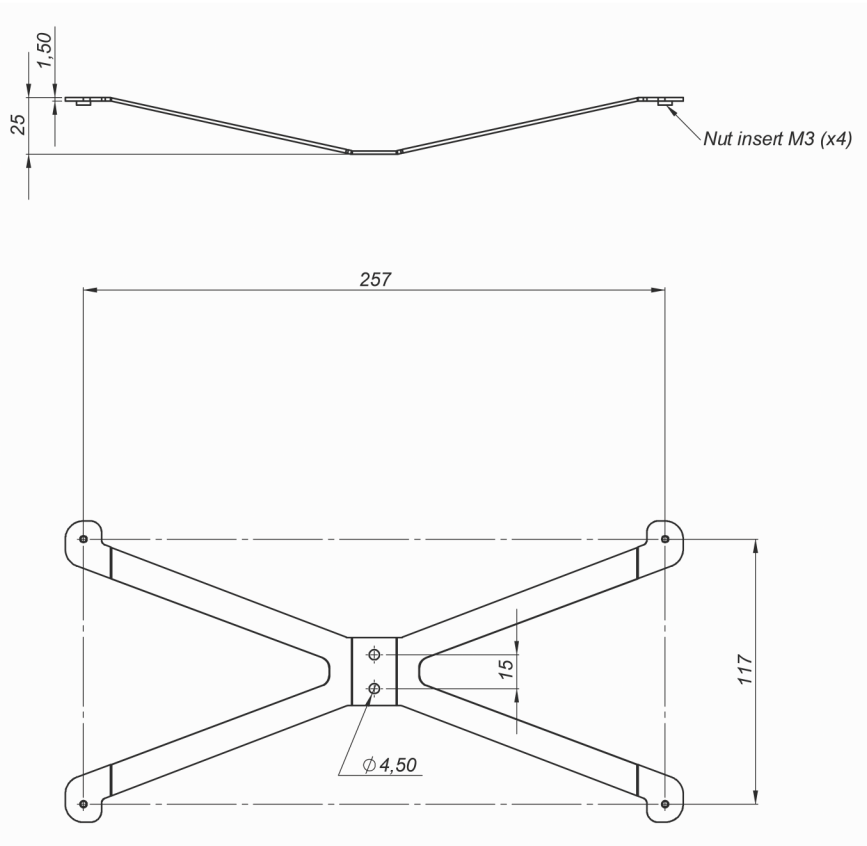
## Antenna holder for Advantenna-p12™



### Product overview

AdvanHolder-p12™ is an antenna holder designed especially for Advantenna-p12. With its thin and easy to mount profile, AdvanHolder-p12™ offers a new level of comfort in areas previously difficult to accommodate an antenna.

### Mechanical specifications (in millimeters)



### Benefits:

- Very thin
- Very light
- Easy to mount
- Reduces the time and costs of installation



1.888.238.1155 • Inside USA  
1.205.383.2244 • Outside USA  
info@atlasRFIDstore.com • www.atlasRFIDstore.com