

eGo[®]/eGo Plus License Plate Tag Installation

411708-006 07/13

This document describes the procedures to install an eGo[®] or eGo Plus License Plate Tag (LPT) on your vehicle's front bumper.

General Installation Information

The LPT should be installed over the license plate at the upper part of your vehicle's front license plate area.

Note: If your state does not require a front license plate, install the LPT in the area where the license plate would normally be mounted. If your vehicle does not have a front license plate area, contact your tolling authority for other tag options.

Required Supplies

- Screwdriver (flat-blade or Phillips depending on your vehicle's license plate mounting screws)
- Optional TransCore Exterior Tag Accessory Kit (19077-01). This kit contains tamper-resistant mounting screws and wrench.

LPT Installation Procedures

To mount the LPT

1. Remove the screws from the license plate area of your front bumper (Figure 1). If your vehicle does not have mounting screws you will need two self-tapping threaded screws. You can also contact the tolling authority to inquire about the optional TransCore Exterior Tag Accessory Kit.

Note: You may need to use longer screws to fasten the LPT over the top area of your license plate.

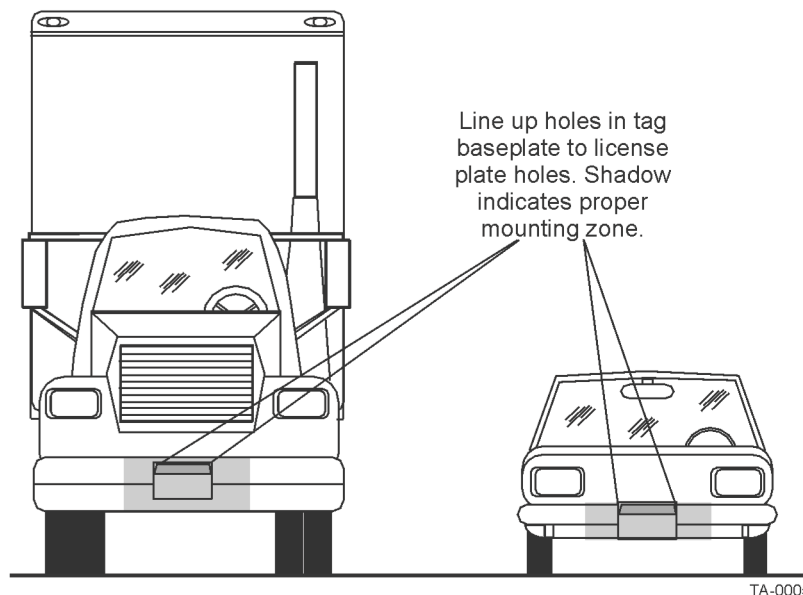


Figure 1 Correct Mounting Location for LPT

2. Position the LPT so that it is within 18 inches (46 cm) of the center of the front bumper as shown by the shaded area in Figure 1. If your vehicle's license plate mounting area is more than 18 inches (46 cm) from the center, you may need to select an alternate location to mount the tag. Contact your tolling authority if your vehicle requires an alternate mounting location for the LPT.
3. Hold the LPT so that the etched lettering is facing you, the mounting holes are to the top, and the TransCore logos are upside down as shown in Figure 2.

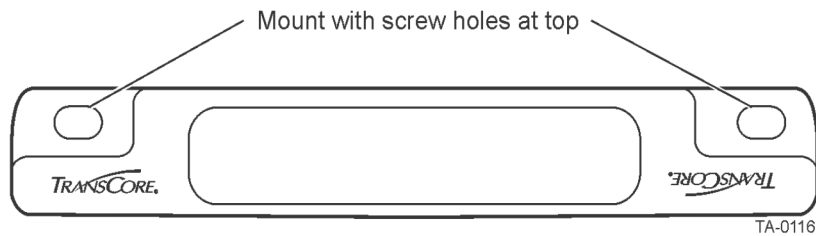


Figure 2 Correct Tag Orientation

4. Fasten the LPT to the bumper using the license plate mounting screws (Figure 3). Install the LPT over the top area of the vehicle's license plate if your vehicle has a front license plate. If your state does not require a front license plate, install the LPT in the area where a license plate would normally be mounted.

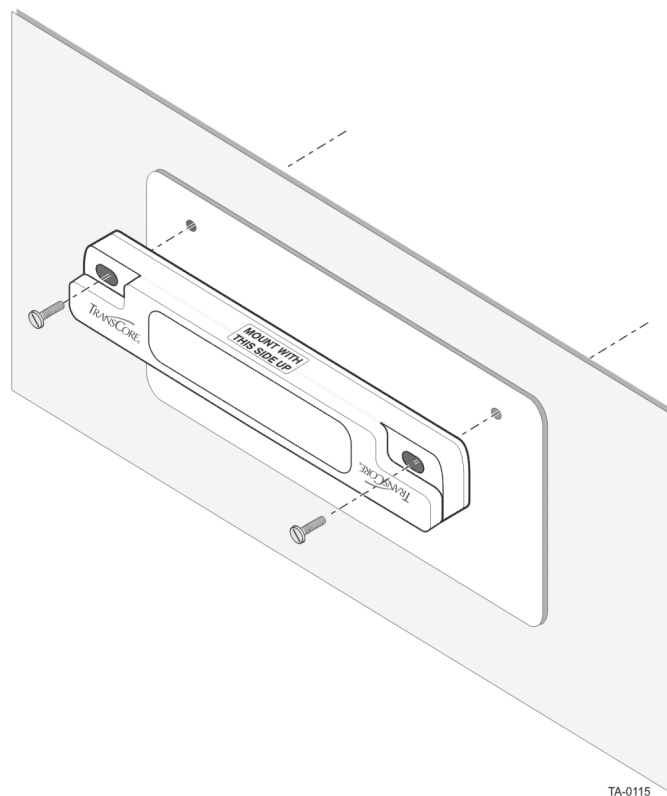


Figure 3 Upper Placement Over the Top Area of the License Plate



atlasRFIDstore.com
 1.888.238.1155 • Inside USA
 1.205.383.2244 • Outside USA
 info@atlasRFIDstore.com • www.atlasRFIDstore.com